

INTERNATIONAL STANDARD

NORME INTERNATIONALE

Multimedia systems – Guide to the recommended characteristics of analogue interfaces to achieve interoperability

Systèmes multimédia – Guide des caractéristiques recommandées des interfaces analogiques permettant d'obtenir l'interopérabilité

IECNORM.COM: Click to view the full PDF of IEC 61938:2013



THIS PUBLICATION IS COPYRIGHT PROTECTED

Copyright © 2013 IEC, Geneva, Switzerland

All rights reserved. Unless otherwise specified, no part of this publication may be reproduced or utilized in any form or by any means, electronic or mechanical, including photocopying and microfilm, without permission in writing from either IEC or IEC's member National Committee in the country of the requester.

If you have any questions about IEC copyright or have an enquiry about obtaining additional rights to this publication, please contact the address below or your local IEC member National Committee for further information.

Droits de reproduction réservés. Sauf indication contraire, aucune partie de cette publication ne peut être reproduite ni utilisée sous quelque forme que ce soit et par aucun procédé, électronique ou mécanique, y compris la photocopie et les microfilms, sans l'accord écrit de la CEI ou du Comité national de la CEI du pays du demandeur.

Si vous avez des questions sur le copyright de la CEI ou si vous désirez obtenir des droits supplémentaires sur cette publication, utilisez les coordonnées ci-après ou contactez le Comité national de la CEI de votre pays de résidence.

IEC Central Office
3, rue de Varembe
CH-1211 Geneva 20
Switzerland

Tel.: +41 22 919 02 11
Fax: +41 22 919 03 00
info@iec.ch
www.iec.ch

About the IEC

The International Electrotechnical Commission (IEC) is the leading global organization that prepares and publishes International Standards for all electrical, electronic and related technologies.

About IEC publications

The technical content of IEC publications is kept under constant review by the IEC. Please make sure that you have the latest edition, a corrigenda or an amendment might have been published.

Useful links:

IEC publications search - www.iec.ch/searchpub

The advanced search enables you to find IEC publications by a variety of criteria (reference number, text, technical committee,...).

It also gives information on projects, replaced and withdrawn publications.

IEC Just Published - webstore.iec.ch/justpublished

Stay up to date on all new IEC publications. Just Published details all new publications released. Available on-line and also once a month by email.

Electropedia - www.electropedia.org

The world's leading online dictionary of electronic and electrical terms containing more than 30 000 terms and definitions in English and French, with equivalent terms in additional languages. Also known as the International Electrotechnical Vocabulary (IEV) on-line.

Customer Service Centre - webstore.iec.ch/csc

If you wish to give us your feedback on this publication or need further assistance, please contact the Customer Service Centre: csc@iec.ch.

A propos de la CEI

La Commission Electrotechnique Internationale (CEI) est la première organisation mondiale qui élabore et publie des Normes internationales pour tout ce qui a trait à l'électricité, à l'électronique et aux technologies apparentées.

A propos des publications CEI

Le contenu technique des publications de la CEI est constamment revu. Veuillez vous assurer que vous possédez l'édition la plus récente. un corrigendum ou amendement peut avoir été publié.

Liens utiles:

Recherche de publications CEI - www.iec.ch/searchpub

La recherche avancée vous permet de trouver des publications CEI en utilisant différents critères (numéro de référence, texte, comité d'études,...).

Elle donne aussi des informations sur les projets et les publications remplacées ou retirées.

Just Published CEI - webstore.iec.ch/justpublished

Restez informé sur les nouvelles publications de la CEI. Just Published détaille les nouvelles publications parues. Disponible en ligne et aussi une fois par mois par email.

Electropedia - www.electropedia.org

Le premier dictionnaire en ligne au monde de termes électroniques et électriques. Il contient plus de 30 000 termes et définitions en anglais et en français, ainsi que les termes équivalents dans les langues additionnelles. Egalement appelé Vocabulaire Electrotechnique International (VEI) en ligne.

Service Clients - webstore.iec.ch/csc

Si vous désirez nous donner des commentaires sur cette publication ou si vous avez des questions contactez-nous: csc@iec.ch.

INTERNATIONAL STANDARD

NORME INTERNATIONALE

Multimedia systems – Guide to the recommended characteristics of analogue interfaces to achieve interoperability

Systèmes multimédia – Guide des caractéristiques recommandées des interfaces analogiques permettant d'obtenir l'interopérabilité

INTERNATIONAL
ELECTROTECHNICAL
COMMISSION

COMMISSION
ELECTROTECHNIQUE
INTERNATIONALE

PRICE CODE
CODE PRIX

W

ICS 33.160.60; 35.200

ISBN 978-2-83220-836-6

**Warning! Make sure that you obtained this publication from an authorized distributor.
Attention! Veuillez vous assurer que vous avez obtenu cette publication via un distributeur agréé.**

CONTENTS

FOREWORD.....	5
INTRODUCTION.....	7
1 Scope.....	8
2 Normative references	10
3 Terms and definitions	10
4 General conditions.....	13
5 Power supply.....	13
5.1 Alternating current (a.c.) power supply voltages and frequencies	13
5.2 Direct current (d.c.) power supply voltages	13
5.3 Power supply feed for microphones	14
6 Interconnections	14
6.1 Connections	14
6.1.1 General	14
6.1.2 Characteristics of cables	14
6.2 Connectors.....	15
7 Marking and symbols for marking	16
7.1 Marking	16
7.2 Symbols for marking.....	16
8 Electrical recommended values	16
8.1 General purpose output/input.....	16
8.2 General purpose audio output/input.....	16
8.2.1 Audio-only interfaces for consumer equipment.....	16
8.2.2 Interfaces for professional equipment and consumer equipment where audio and video signals are present on the same connector or cable.....	18
8.3 General purpose video input/output.....	19
9 Interoperability of microphones and amplifiers	19
9.1 Microphones (excluding piezoelectric types)	19
9.2 Power supply feed for electret microphones fed over a signal conductor ("plug-in power").....	20
9.3 Power supply feed for electret microphones fed by a separate conductor ("soundcard power" or "PC power")	21
9.4 Phantom supply system	21
9.4.1 General	21
9.4.2 Supply voltage polarity	22
9.4.3 Circuit diagram	22
9.4.4 Value of the supply voltage	22
9.4.5 Supply current	22
9.4.6 Marking	22
9.5 A-B supply system	23
9.5.1 General	23
9.5.2 Output impedance of the microphone.....	23
9.5.3 Circuit diagram	23
9.5.4 Connection of the power supply to earth	23
9.5.5 Marking	23
9.6 Polarity of the audio frequency voltage	23

10	Interoperability of record-playing units (pick-ups) and amplifiers	26
11	Interoperability of loudspeakers and amplifiers	26
11.1	Single unit loudspeakers	26
11.2	Loudspeaker systems	26
11.2.1	Loudspeakers with built-in amplifier	26
11.2.2	Impedance-defined loudspeaker systems	27
11.2.3	Constant voltage loudspeaker systems	27
11.3	Voltage (or power) interoperability of amplifiers and loudspeakers	27
11.3.1	Overview	27
11.3.2	Interoperability requirements	28
11.4	Polarity of the sound pressure	28
12	Interoperability of headphones and amplifiers	28
12.1	General	28
12.2	Interoperability of headphones with stationary amplifiers	28
12.3	Interoperability of portable audio headphones/earphones and portable audio equipment	29
12.3.1	General	29
12.3.2	Portable audio headphones/earphones	29
12.3.3	Portable audio equipment	29
12.3.4	Recommended values and input/output values for portable audio headphones/earphones and portable audio equipment	29
13	Interoperability of amplifiers with other amplifiers	30
13.1	Pre-amplifiers and power amplifiers for general purpose and sound reinforcement	30
13.2	Broadcast and similar line amplifiers	31
Annex A (informative)	Pairing and screening of conductors	32
Annex B (informative)	Phantom power variants for specialized applications	33
Bibliography	34
Figure 1	– Audio and video sources and destinations	9
Figure 2	– Example of plug-in power system for a single microphone	24
Figure 3	– Example of plug-in power system for a two-channel microphone	24
Figure 4	– Example of soundcard power system	24
Figure 5	– Example of phantom power supply system	25
Figure 6	– Example of A-B power supply system	25
Table 1	– Direct current (d.c.) power supply voltages and tolerances	14
Table 2	– General purpose values for audio-only interfaces	16
Table 3	– General purpose values for audio signals for professional interfaces	18
Table 4	– General purpose recommended values for video signals	19
Table 5	– Recommended values for microphones and amplifiers	20
Table 6	– Required values for phantom supply systems	25
Table 7	– Required values for A-B power supply systems	25
Table 8	– Recommended values for analogue record-playing units and amplifiers	26
Table 9	– Recommended values for impedance-defined loudspeaker systems	27
Table 10	– Recommended values for constant voltage loudspeaker systems	27

Table 11 – Recommended values for headphones and amplifiers in stationary applications 29

Table 12 – Recommended values for portable audio headphones/earphones and portable audio equipment 30

Table 13 – Recommended values for pre-amplifiers and power amplifiers 31

Table 14 – Recommended values for broadcast and similar line amplifiers 31

IECNORM.COM: Click to view the full PDF of IEC 61938:2013

Withdrawn

INTERNATIONAL ELECTROTECHNICAL COMMISSION

**MULTIMEDIA SYSTEMS –
GUIDE TO THE RECOMMENDED CHARACTERISTICS
OF ANALOGUE INTERFACES TO ACHIEVE INTEROPERABILITY**

FOREWORD

- 1) The International Electrotechnical Commission (IEC) is a worldwide organization for standardization comprising all national electrotechnical committees (IEC National Committees). The object of IEC is to promote international co-operation on all questions concerning standardization in the electrical and electronic fields. To this end and in addition to other activities, IEC publishes International Standards, Technical Specifications, Technical Reports, Publicly Available Specifications (PAS) and Guides (hereafter referred to as "IEC Publication(s)"). Their preparation is entrusted to technical committees; any IEC National Committee interested in the subject dealt with may participate in this preparatory work. International, governmental and non-governmental organizations liaising with the IEC also participate in this preparation. IEC collaborates closely with the International Organization for Standardization (ISO) in accordance with conditions determined by agreement between the two organizations.
- 2) The formal decisions or agreements of IEC on technical matters express, as nearly as possible, an international consensus of opinion on the relevant subjects since each technical committee has representation from all interested IEC National Committees.
- 3) IEC Publications have the form of recommendations for international use and are accepted by IEC National Committees in that sense. While all reasonable efforts are made to ensure that the technical content of IEC Publications is accurate, IEC cannot be held responsible for the way in which they are used or for any misinterpretation by any end user.
- 4) In order to promote international uniformity, IEC National Committees undertake to apply IEC Publications transparently to the maximum extent possible in their national and regional publications. Any divergence between any IEC Publication and the corresponding national or regional publication shall be clearly indicated in the latter.
- 5) IEC itself does not provide any attestation of conformity. Independent certification bodies provide conformity assessment services and, in some areas, access to IEC marks of conformity. IEC is not responsible for any services carried out by independent certification bodies.
- 6) All users should ensure that they have the latest edition of this publication.
- 7) No liability shall attach to IEC or its directors, employees, servants or agents including individual experts and members of its technical committees and IEC National Committees for any personal injury, property damage or other damage of any nature whatsoever, whether direct or indirect, or for costs (including legal fees) and expenses arising out of the publication, use of, or reliance upon, this IEC Publication or any other IEC Publications.
- 8) Attention is drawn to the Normative references cited in this publication. Use of the referenced publications is indispensable for the correct application of this publication.
- 9) Attention is drawn to the possibility that some of the elements of this IEC Publication may be the subject of patent rights. IEC shall not be held responsible for identifying any or all such patent rights.

International Standard IEC 61938 has been prepared by IEC technical committee 100: Audio, video and multimedia systems and equipment.

This second edition cancels and replaces the first edition published in 1996 and constitutes a technical revision.

This edition includes the following significant technical changes with respect to the previous edition:

- the main title was changed to: Multimedia systems – Guide to the recommended characteristics of analogue interfaces to achieve interoperability;
- the scope was adapted to the title;
- a new introduction has been added. The necessity of the above revisions is mentioned in this introduction;
- the values in each table were chosen with respect to the state of the art and representative of best practice in industry;

- plug-in power systems and soundcard power systems are added;
- a new subclause 12.3 has been created: Interoperability of portable audio headphones / earphones and portable audio equipment;
- a new Annex A describing pairing and screening of conductors is added;
- a new Annex B describing phantom power variants for specialized applications is also added.

The text of this standard is based on the following documents:

FDIS	Report on voting
100/2130/FDIS	100/2155/RVD

Full information on the voting for the approval of this standard can be found in the report on voting indicated in the above table.

This publication has been drafted in accordance with the ISO/IEC Directives, Part 2.

The committee has decided that the contents of this publication will remain unchanged until the stability date indicated on the IEC web site under "<http://webstore.iec.ch>" in the data related to the specific publication. At this date, the publication will be

- reconfirmed,
- withdrawn,
- replaced by a revised edition, or
- amended.

IECNORM.COM: Click to view the full PDF of IEC 61938:2013

INTRODUCTION

The first edition of IEC 61938 was derived from IEC 60268-15, IEC 60574-4 and IEC 60933-1 and also from related proposals which had been submitted up until the date of this revision. IEC 60268-15 was the first standard to address 'interoperability' – the ability of equipment from different manufacturers to be assembled into a system with full compatibility at every 'interface'. However, the purpose, terminology and implications of IEC 61938 are now widely misunderstood because the words 'matching' and 'preferred' used in IEC 61938, are frequently misinterpreted, resulting in IEC 61938 being regarded as a performance standard, which was never its intention. The aim of this revision is to make the intention of this standard easily comprehensible by using widely used terminology in the title and text of the standard.

The features of the revision are the following.

- a) Unification and arrangement of existing related standards, including effective proposals which have been submitted.
- b) The concept of "general purpose input/output".

NOTE The standard numbers mentioned above correspond to the revised numbers, if applicable.

IECNORM.COM: Click to view the full PDF of IEC 61938:2013

Withdrawing

MULTIMEDIA SYSTEMS – GUIDE TO THE RECOMMENDED CHARACTERISTICS OF ANALOGUE INTERFACES TO ACHIEVE INTEROPERABILITY

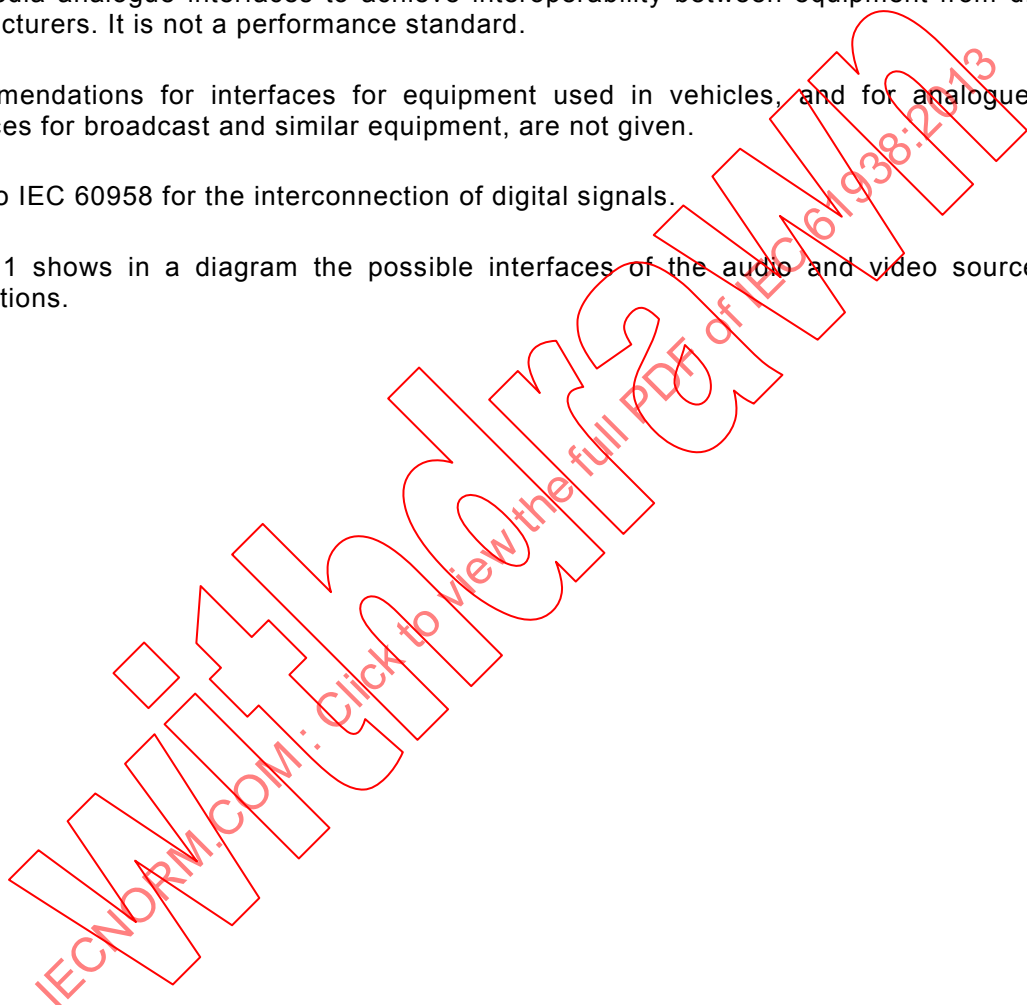
1 Scope

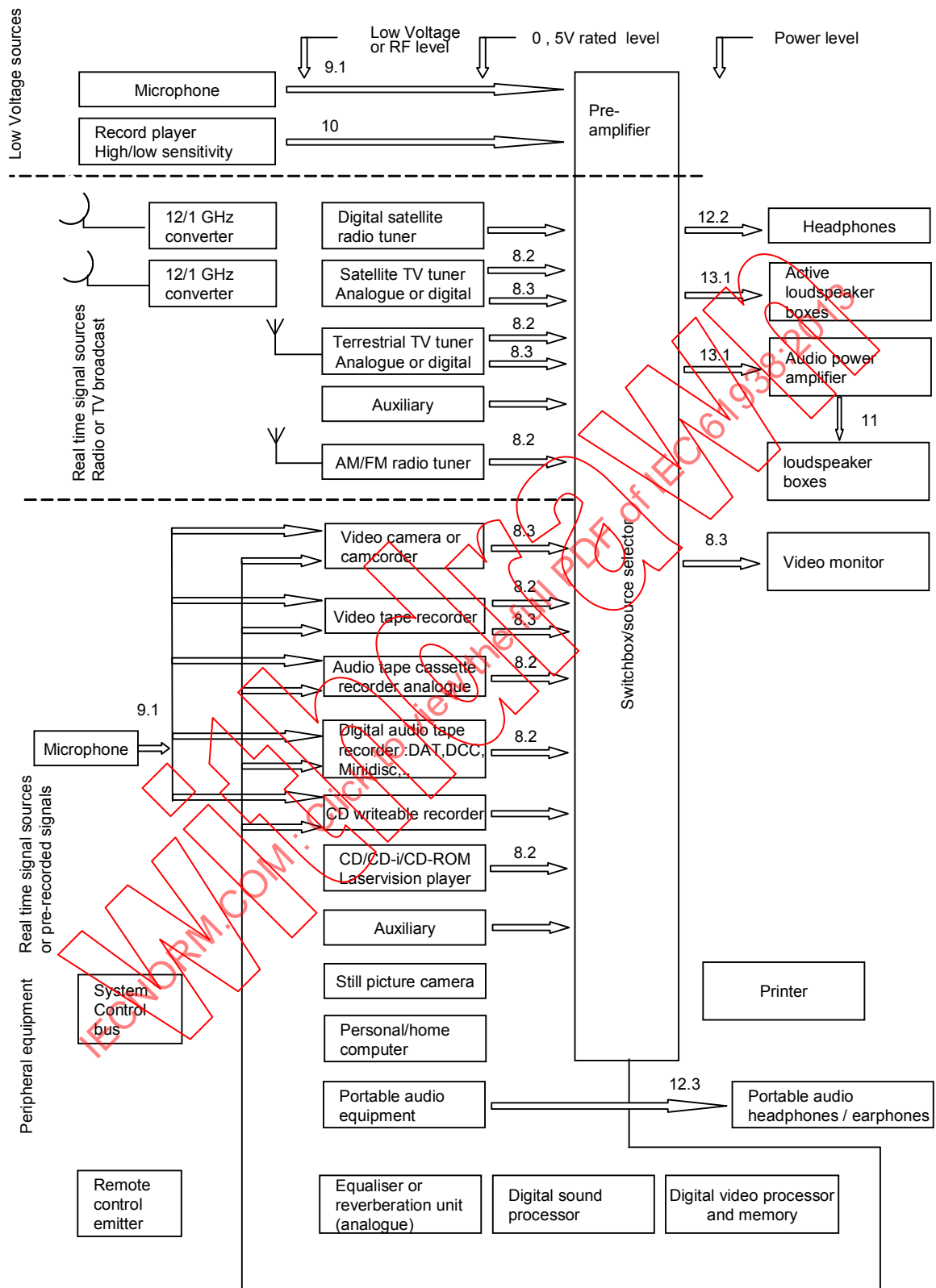
This International Standard gives guidance on current practice for the characteristics of multimedia analogue interfaces to achieve interoperability between equipment from different manufacturers. It is not a performance standard.

Recommendations for interfaces for equipment used in vehicles, and for analogue video interfaces for broadcast and similar equipment, are not given.

Refer to IEC 60958 for the interconnection of digital signals.

Figure 1 shows in a diagram the possible interfaces of the audio and video sources and destinations.





IEC 1298/13

NOTE The numbers indicated above the arrows refer to the appropriate clause or subclauses of this standard.

Figure 1 – Audio and video sources and destinations

2 Normative references

The following documents, in whole or in part, are normatively referenced in this document and are indispensable for its application. For dated references, only the edition cited applies. For undated references, the latest edition of the referenced document (including any amendments) applies.

IEC 60038:2009, *IEC standard voltages*

IEC 60094-2:1994, *Magnetic tape recording and reproducing systems – Part 2: Calibration tapes*

IEC 60107-6:1989, *Recommended methods of measurement on receivers for television broadcast transmissions – Part 6: Measurements under conditions different from broadcast signal standards*

IEC 60130-9:2011, *Connectors for frequencies below 3 MHz – Part 9: Circular connectors for radio and associated sound equipment*

IEC 60268-1:1985, *Sound system equipment – Part 1: General*
Amendment 1:1988
Amendment 2:1988

IEC 60268-3:2000, *Sound system equipment – Part 3: Amplifiers*

IEC 60268-5:2003, *Sound system equipment – Part 5: Loudspeakers*
Amendment 1:2007

IEC 60268-7:2010, *Sound system equipment – Part 7: Headphones and earphones*

IEC 60268-11:1987, *Sound system equipment – Part 11: Application of connectors for the interconnection of sound system components*
Amendment 1:1989
Amendment 2:1991

IEC 60268-12:1987, *Sound system equipment – Part 12: Application of connectors for broadcast and similar use*
Amendment 1:1991
Amendment 2:1994

IEC 60603-11:1992, *Connectors for frequencies below 3 MHz for use with printed boards – Part 11: Detail specification for concentric connectors (dimensions for free connectors and fixed connectors)*

IEC 60958 (all parts), *Digital audio interface*

ITU-R BT.1700:2005, *Characteristics of composite video signals for conventional analogue television systems*

3 Terms and definitions

For the purposes of this document, the following terms and definitions apply.

3.1**luminance signal**

electrical signal representing the luminance of the television picture elements

[SOURCE: IEC 60050-723:1997, 723-05-56, modified, Note has been deleted]

3.2**chrominance signal**

electrical signal that is associated with the luminance signal to convey colour information; in practice this signal is made up of two components

[SOURCE: IEC 60050-723:1997, 723-05-57]

3.3**Y" signal****VBS signal**

combined signal consisting of

- a luminance signal;
- blanking and synchronizing signals

Note 1 to entry: The Y" signal is the composite video signal (CVBS signal) without the C" signal.

3.4**colour signal****C" signal**

chrominance signal with burst signal included, modulated on a subcarrier

3.5**composite video signal****CVS signal**

combined signal consisting of

- a luminance signal;
- a colour signal

3.6**composite video, blanking and synchronization signal****CVBS signal**

combined signal consisting of

- a luminance signal;
- a colour signal;
- blanking and synchronizing signals

3.7**blanking signal**

signal used to control the suppression of the signal conveying picture information during certain parts of the scanning period, for example, during fly-back

[SOURCE: IEC 60050:1997, 723-05-37, modified, Example has been deleted]

3.8**synchronizing signal**

signal used to determine the timing for the scanning processes in transmission and reception

[SOURCE: IEC 60050:1997, 723-05-36]

**3.9
interface**

shared boundary between two pieces of equipment, defined by functional characteristics, common physical interconnection characteristics, signal characteristics and other characteristics, as appropriate

[SOURCE: ISO/IEC 2382-9:1995, definition 09.01.06, modified, definition has been adapted]

**3.10
minimum output voltage**

voltage measured across the rated load impedance of a piece of equipment, and related to a minimum input signal limited by signal to noise ratio

**3.11
maximum output voltage**

voltage measured across the rated load impedance of a piece of equipment and related to a maximum input signal limited by non-linearity

**3.12
rated source impedance**

internal impedance, stated by the manufacturer, of the source supplying the signal to the piece of equipment

Note 1 to entry: Unless otherwise specified, the rated source impedance is assumed to be a constant pure resistance.

Note 2 to entry: The manufacturer may also give the range of source impedances which he considers tolerable in practice.

Note 3 to entry: Multiple values, or a range of values, may be specified, providing the corresponding rated (distortion-limited) output voltages and/or powers are also stated.

**3.13
input impedance**

internal impedance measured between the input terminal and its corresponding return of the piece of equipment

**3.14
rated source e.m.f.**

e.m.f. specified by the manufacturer which, when connected to the input terminals in series with the rated source impedance, gives rated distortion-limited output voltage across the rated load impedance at an appropriate setting of the controls

**3.15
minimum source e.m.f. for rated output voltage**

e.m.f. which, when connected to the input terminals in series with the rated source impedance, gives rated output voltage across the rated load impedance with the volume control(s), if any, set for maximum gain and the tone control(s), if any, set as specified for rated conditions

**3.16
rated load impedance**

impedance, specified by the manufacturer, to which the output terminals are to be connected for measuring purposes

Note 1 to entry: Unless otherwise specified by the manufacturer, the rated load impedance shall be assumed to be a constant pure resistance.

Note 2 to entry: Multiple values, or a range of values, may be specified, provided the corresponding rated (distortion-limited) output voltages and/or powers are also stated.

3.17**output source impedance**

internal impedance measured between the output terminal and its corresponding return under specified conditions

3.18**rated output voltage**

voltage specified by the manufacturer, measured across the rated load-impedance of a piece of equipment

3.19**overload source e.m.f.**

maximum source e.m.f. for which a piece of equipment, connected as for rated conditions and with an appropriate setting of the volume control, can deliver an output voltage 10 dB below the rated distortion limited output voltage without exceeding the rated total harmonic distortion

3.20**externally powered microphone**

microphone containing internal active circuitry that obtains its operating power from an external device to which it is connected

3.21**powered input**

point on a device at which an externally powered microphone may be connected

Note 1 to entry: This is a terminal which serves as an input for signals from a microphone and also as an output for power to the microphone.

4 General conditions

All voltages are r.m.s. voltages, unless otherwise indicated.

Impedances of audio circuits are valid in the frequency range of 20 Hz to 20 kHz, unless otherwise indicated.

Tables containing tolerances indicate that the equipment should operate over the entire range of possible values, but may not meet all of its specifications at the given limits.

5 Power supply**5.1 Alternating current (a.c.) power supply voltages and frequencies**

For a.c. power supply voltages and frequencies, refer to IEC 60038.

For special applications, for example ships and aircraft, other voltages and/or frequencies and the permissible tolerances are subject to agreement between manufacturers and users.

5.2 Direct current (d.c.) power supply voltages

DC power supply voltages and the permissible tolerances are given in Table 1. The equipment should operate over the range of voltages given, but may not necessarily meet all of its specifications at the given limits.

Table 1 – Direct current (d.c.) power supply voltages and tolerances

Type of power supply	Rated voltage/cell V	Operating voltage/cell V		
		Lower limit	Normal voltage	Upper limit
Primary batteries				
– Alkali-manganese, zinc chloride-zinc	1,5	1,0	1,5	1,65
– Lithium (organic electrolyte)	3,0	2,0	3,0	3,7
Secondary batteries:				
– Lead-acid, except vehicle batteries	2,0	1,8	2,0	2,2
– Lead-acid, vehicle batteries	2,0	1,8	2,4	2,6
– Nickel-cadmium	1,2	1,1	1,2	1,4

5.3 Power supply feed for microphones

Refer to to 9.3, 9.4, and 9.5.

6 Interconnections

6.1 Connections

6.1.1 General

Signal cables shall have the appropriate electrical characteristics to permit the transfer of signals between the parts of a system without unacceptable impairment.

NOTE The degree of impairment which is unacceptable depends on the system specification and the need to comply with other international standards, such as those concerning electromagnetic compatibility.

6.1.2 Characteristics of cables

6.1.2.1 General

The following characteristics of cables should be taken into account.

6.1.2.2 Resistance of the conductors

A resistance of less than one-hundredth of the load impedance is usually acceptable for loudspeaker connections. For other applications, values of one-tenth are acceptable.

NOTE Long cables may therefore require conductors of a larger cross-sectional area than those of short cables.

6.1.2.3 Insulation resistance

An insulation resistance of 50 MΩ is usually acceptable.

6.1.2.4 Magnetic and electromagnetic interference susceptibility of interconnections

The use of untwisted pairs or single conductors with separate return paths is a common source of magnetic and electromagnetic interference at both audio and radio frequencies, especially for loudspeaker wiring, and should be avoided. A description of the methods of avoiding such interference is given in Annex A.

6.1.2.5 Reactance of conductors

The acceptable values vary too widely to give more than general guidance. The cable should not appreciably affect the signal being carried. In the absence of particular requirements, the inductive reactance of the cable should not cause more than 1 dB change in response over the frequency range of interest. The capacitive reactance between the two conductors of a signal-carrying pair, or a coaxial cable, in parallel with the load impedance, should be greater than the rated load impedance, at the highest frequency of interest.

While it is not recommended to use cables in which single conductors carry different audio signals, the capacitive reactance between conductors in this case should exceed 1 000 times the load impedance at the highest frequency of interest.

6.1.2.6 Capacitance from conductor to screen

The acceptable value varies too widely to give more than general guidance. In the absence of particular requirements, the capacitive reactance of a coaxial cable, in parallel with the load impedance, should be greater than the rated load impedance. The capacitance between each conductor of a balanced pair and its screen should be equal within 7,5 %. A closer tolerance is desirable.

NOTE The 7,5 % tolerance, which can be achieved using normal cable manufacturing methods, ensures preservation of adequate common mode rejection in balanced circuits (see Whitlock, JAES, 1995-06). The electromagnetic interference rejection of such circuits is dependent on impedance balance.

6.1.2.7 Characteristic impedance

This is usually only important for high-frequency signals (such as digital signals in accordance with IEC 60958).

6.1.2.8 Continuity of screening

In some applications, the screen is connected to contacts of connectors at both ends of the cable. In other cases, the screen is connected at one end of the cable only. When the screen of a balanced cable is interrupted, for example to prevent the flow of circulating currents, such interruption should be at the receiving end of the signal path. The screen of a coaxial cable should not be interrupted. Connections between equipment should comply with the requirements of AES48.

The screening of signal cables and connectors shall not be used as a means for the preservation of safety earth continuity for the prevention of electric shock hazard.

6.1.2.9 Efficiency of screening

The use of screening is meant to reduce the unwanted effects of electromagnetic disturbances, such as:

- a) in reducing crosstalk between conductors in the same cable;
- b) in reducing emission of unwanted signals from the cable;
- c) in maintaining immunity from external signals entering via the cable.

NOTE These characteristics are related, but good performance in one respect does not ensure good performance in another.

6.2 Connectors

For connectors used within the system, refer to the International Standards cited in Clause 2.

7 Marking and symbols for marking

7.1 Marking

Terminals and controls shall be adequately marked to give information regarding their function, characteristics and polarity.

The marking shall be such that it is possible to adjust the controls and to identify their positions with sufficient accuracy in connection with the information given in the user instructions.

7.2 Symbols for marking

Marking preferably should be composed of letter symbols, signs, numbers and colours, which are internationally intelligible. Refer to IEC 60027, IEC 60417, IEC 60617 and IEC 61293 for such symbols of marking.

Markings not included in the above-mentioned standards shall be clearly explained in the user instructions.

8 Electrical recommended values

8.1 General purpose output/input

In order to preserve the maximum flexibility of use and compatibility in the design of equipment, all inputs of destination equipment, and all outputs of source equipment for general applications shall have the same specifications. These are termed "general purpose input/output".

The manufacturer may choose to designate some or all of these input/outputs for particular purposes. For example, the general purpose input/output for audio signal would be designated for tuner, for tape recorder, or for auxiliary input, in order to simplify the operation, but the specification of all such inputs and outputs nevertheless shall be identical.

8.2 General purpose audio output/input

8.2.1 Audio-only interfaces for consumer equipment

Table 2 gives the values for audio-only interfaces.

Table 2 – General purpose values for audio-only interfaces

Output ^a		Input	
	Recommended values		Recommended values
Output source impedance	≤2,2 kΩ	Rated source impedance	2,2 kΩ
Rated load impedance	22 kΩ	Input impedance	≥22 kΩ
Rated output voltage	0,5 V ^b	Rated source e.m.f.	0,5 V ^e
Minimum output voltage	0,2 V ^c	Minimum source e.m.f. for rated output voltage	0,2 V
Maximum output voltage	2 V ^d	Overload source e.m.f.	≥2,8 V ^f

^a The output voltages are measured with the rated load impedance connected.

^b The value corresponds to:

- a) an aerial input level of 40 dB (pW) for FM radio tuners, i.e. 0,86 mV across 75 Ω or 1,73 mV across 300 Ω. The modulation factor is 54 %;

- an aerial input e.m.f. of 1 mV for AM radio tuners. The modulation factor is 30 %;
- a vision carrier input level of 70 dB (μ V) for TV sound tuners, having the sound to vision carrier ratio of the relevant television system (see ITU-R BT.1700). The modulation factor is 54 % for both AM and FM.

The modulation factor of the above signals is based on the average modulation factor of the relevant emissions, averaged over at least 15 s;

- b) the output of a tape player or monitor, when reproducing a calibration tape in accordance with IEC 60094-2;
 - c) the output of a digital audio source (see footnote to table 9), when reproducing a sinewave signal recorded at a level 12 dB below "full scale" (see footnote to table ^d, item c) recorded digital signal;
 - d) a source level equal to the average level of the system in other cases.
- ^c The value corresponds to:
- a) a level of 8 dB below the recording level given in footnote to table ^b, item b) above, in the case of a tape player or monitor;
 - b) the minimum source e.m.f. to the input of the system (8 dB below the rated source e.m.f.) in other cases.

The value as shown is not specified for tuners.

In the case of a digital audio source (see footnote to table 9), it is not necessary to define a minimum output voltage since it is directly related to the rated output voltage.

- ^d The value corresponds to:
- a) the maximum r.f. input signal level and maximum modulation in the case of tuners. In some countries, FM emissions may exceed the rated maximum system deviation, while in others this is not permitted. AM emissions employing high-efficiency modulation techniques may produce at the receiver an audio output voltage corresponding to an apparent modulation of more than 100 %, up to approximately 150 %;
 - b) the maximum recording level in the case of a tape player or monitor;
 - c) the "full scale" level, which is the sinewave signal having positive and negative peak values represented by the digital values of 7FFFH and 8001H in a 16 bit system in the case of a digital audio source (see footnote to table 9). In the compact disc specification, these values correspond to a maximum (r.m.s.) analogue output voltage of $2 \text{ V} \pm 3 \text{ dB}$;
 - d) the input of the system when applying the overload source e.m.f. (12 dB above the rated source e.m.f.) in other cases.
- ^e In the case of a tape recorder, the value which produces the same intensity of the magnetic field as that of the calibration tape in accordance with IEC 60094-2.
- ^f For inputs intended only for the connection of analogue sources, the value is greater than or equal to 2,0 V. For inputs intended for the connection of analogue outputs of digital audio sources (see footnote to table 9), the value is greater than or equal to 2,8 V.
- ^g The digital audio source may be a compact disc (CD) player, a digital audio tape (DAT/DCC) recorder or player, a television receiver with digital sound reception facilities or a receiver for digital audio broadcast (see footnote table ^h below).
- ^h For NICAM receivers, the relationship between the levels of alignment level tones transmitted by the broadcasting authorities and the maximum digital coding level, and between the levels of alignment level tones in mono and stereo modes, may vary in different countries. See:
- a) EBU Techn. SPB 424 (3rd Ed.)
 - b) NICAM 728: Specification for two additional digital sound channels with system I television, IBA, BREMA and BBC, London 1988.

8.2.2 Interfaces for professional equipment and consumer equipment where audio and video signals are present on the same connector or cable

Table 3 gives the values for audio signals for professional interfaces. This table does not apply to interfaces for broadcasting equipment. See Table 14.

Table 3 – General purpose values for audio signals for professional interfaces

Output ^a		Input	
	Recommended values		Recommended values
Output source impedance	≤1 kΩ	Rated source impedance	1 kΩ
Rated load impedance	10 kΩ ^g	Input impedance	≥10 kΩ
Rated output voltage	0,5 V ^b	Rated source e.m.f.	0,5 V ^e
Minimum output voltage	0,2 V ^c	Minimum source e.m.f. for rated output voltage	0,2 V
Maximum output voltage	2 V ^d	Overload source e.m.f.	≥2,8 V ^f

a The output voltages are measured with the rated load impedance connected.

b The value corresponds to:

- a) an aerial input level of 40 dB (pW) for FM radio tuners, i.e. 0,86 mV across 75 Ω or 1,73 mV across 300 Ω. The modulation factor is 54 %;
- an aerial input e.m.f. of 1 mV for AM radio tuners. The modulation factor is 30 %;
- a vision carrier input level of 70 dB (μV) for TV sound tuners, having the sound to vision carrier ratio of the relevant television system (see ITU-R BT.1700). The modulation factor is 54 % for both AM and FM.

The modulation factor of the above signals is based on the average modulation factor of the relevant emissions, averaged over at least 15 s:

- b) the output of a tape player or monitor, when reproducing a calibration tape in accordance with IEC 60094-2;
- c) the output of a digital audio source (see footnote to table ^h), when reproducing a sinewave signal recorded at a level 12 dB below "full scale" (see footnote to table ^d, item c) recorded digital signal;
- d) a source level equal to the average level of the system in other cases.

c The value corresponds to:

- a) a level of 8 dB below the recording level given in footnote to table ^b b) above, in the case of a tape player or monitor;
- b) the minimum source e.m.f. to the input of the system (8 dB below the rated source e.m.f.) in other cases.

The value as shown is not specified for tuners.

In the case of a digital audio source (see footnote to table ^h), it is not necessary to define a minimum output voltage since it is directly related to the rated output voltage.

d The value corresponds to:

- a) the maximum r.f. input signal level and maximum modulation in the case of tuners. In some countries, FM emissions may exceed the rated maximum system deviation, while in others this is not permitted. AM emissions employing high-efficiency modulation techniques may produce at the receiver an audio output voltage corresponding to an apparent modulation of more than 100 %, up to approximately 150 %;
- b) the maximum recording level in the case of a tape player or monitor;
- c) the "full scale" level, which is the sinewave signal having positive and negative peak values represented by the digital values of 7FFFH and 8001H in a 16 bit system in the case of a digital audio source (see footnote to table ^h). In the compact disc specification, these values correspond to a maximum (r.m.s.) analogue output voltage of 2 V ± 3 dB;
- d) the input of the system when applying the overload source e.m.f. (12 dB above the rated source e.m.f.) in other cases.

e In the case of a tape recorder, the value which produces the same intensity of the magnetic field as that of the calibration tape in accordance with IEC 60094-2.

f For inputs intended only for the connection of analogue sources, the value is greater than or equal to 2,0 V. For inputs intended for the connection of analogue outputs of digital audio sources (see footnote to table ^h), the value is greater than or equal to 2,8 V.

- g The rated load impedance should be 1 k Ω for professional applications.
- h The digital audio source may be a compact disc (CD) player, a digital audio tape (DAT/DCC) recorder or player, a television receiver with digital sound reception facilities or a receiver for digital audio broadcast (see footnote to table ¹).
- i For NICAM receivers, the relationship between the levels of alignment level tones transmitted by the broadcasting authorities and the maximum digital coding level, and between the levels of alignment level tones in mono and stereo modes, may vary in different countries. See:
- EBU Techn. SPB 424 (3rd. Ed.)
 - NICAM 728: Specification for two additional digital sound channels with system I television, IBA, BREMA and BBC, London 1988.

8.3 General purpose video input/output

Values for general purpose video input/output are given in Table 4 and in accompanying notes.

Table 4 – General purpose recommended values for video signals

Input/output	Recommended values		
	NTSC	PAL	SECAM
Rated impedance ^a	75 Ω		
Composite video signal ^b	1 V _{p-p} \pm 3 dB		
– Y" signal ^{b, e, f}	1 V _{p-p} \pm 3 dB		
– C" signal ^{c, f}	0,286 V _{p-p} \pm 3 dB	0,3 V _{p-p} \pm 3 dB	Not applicable
Primary colour (RGB) signal ^d : difference between peak value and blanking level	0,7 V \pm 0,1 V ^{d, f}		
Superimposed d.c. component	–	0 V to +2 V	
<p>^a The specified signal voltages should be measured under matched conditions.</p> <p>^b Difference between peak white level and synchronizing level. Synchronizing level should comply with ITU-R BT.1700. For the possible effects of non-standard synchronizing level, see IEC 60107-6.</p> <p>^c The values given in the table are the standard peak-to-peak amplitudes of the colour reference burst (for NTSC and PAL) and of the unmodulated dB chrominance carrier (for SECAM). The corresponding amplitude for PAL 100/0/100/0 colour bars is 885 mV, and for NTSC 100/7,5/100/7,5 colour bars the amplitude is 835 mV.</p> <p>^d For the analogue monochrome signals, the difference between any two primary colour signals and other parameters such as Y and vision colour signal shall not exceed 0,5 dB. The peak values of primary colour signals are those that give rise to a peak white luminance signal.</p> <p>^e The Y" signal consists of the composite signal according to ITU-R BT.1700 without the burst and chrominance signals or colour subcarrier.</p> <p>^f The permitted tolerances on the component signal levels should not be applied differentially. For example, a degraded picture quality is likely if the Y" signal level is at the minimum limit of tolerance and the C" signal at the maximum limit.</p>			

9 Interoperability of microphones and amplifiers

9.1 Microphones (excluding piezoelectric types)

Recommended values for microphones are given in Table 5.

Table 5 – Recommended values for microphones and amplifiers

Microphone	Amplifier	Recommended values		
		Electrodynamic microphones	Electrostatic microphones	
Output	Input for microphones			Professional use air- and electret-dielectric microphones
Rated impedance	Rated source impedance	200 Ω	200 Ω	1 kΩ
Rated load impedance	–	1 kΩ	1 kΩ	5 kΩ
–	Input impedance ^a	≥1 kΩ	≥1 kΩ	>5 kΩ
Rated output voltage ^b	Rated source e.m.f.	0,2 mV	2 mV	2 mV
Maximum output voltage ^c	Overload source e.m.f. for broadcasting and sound reinforcement use ^c	0,2 V	5 V	not applicable
Maximum output voltage ^d	Overload source e.m.f. for household use ^d	20 mV	not applicable	200 mV

^a Impedance values apply over the frequency range 40 Hz to 16 kHz. Input impedance values should be as high as possible and consistent with the desired performance. Inputs of several devices can be connected in parallel when one microphone feeds different devices simultaneously, which may result in degraded microphone performance if the resulting load impedance is too low.

^b The values given relate to 0,2 Pa sound pressure (SPL = 80 dB (re 20 µPa) sound pressure level). The reference sensitivity values in this table are 1 mV/Pa for electrodynamic microphones and 10 mV/Pa for electrostatic microphones. Effective use of a microphone together with an amplifier depends on the minimum microphone output level being at least 5 dB higher than the inherent noise level of the amplifier, and the maximum microphone output level being no greater than the overload source e.m.f. of the amplifier. Attenuators or gain control circuits may be used in the microphone and the amplifier to achieve the desired dynamic range.

^c Values given relate to 100 Pa sound pressure (SPL = 134 dB (re 20 µPa) sound pressure level) taking into account a possible microphone sensitivity up to 50 mV/Pa for air and electret-dielectric microphones and up to 2 mV/Pa for dynamic microphones. The requirement for overload source e.m.f. may be met by means of an adjustable attenuator built into the amplifier.

^d Values given relate to 10 Pa sound pressure (SPL = 114 dB (re 20 µPa) sound pressure level) taking into account a possible 6 dB higher microphone sensitivity. For mains-operated household equipment the values given for broadcasting and sound reinforcement may be required, to avoid overload under extreme conditions.

9.2 Power supply feed for electret microphones fed over a signal conductor (“plug-in power”)

Power supply voltage $U = 1,5 \text{ V}$ to 5 V .

Feed resistor $R = 1 \text{ k}\Omega$ to $10 \text{ k}\Omega$.

Operating bias for unbalanced electret microphones is a positive d.c. voltage U fed through a resistor R to the signal conductor of the cable leading to the microphone. The signal is decoupled from the supply voltage using a series capacitor or other circuitry in the powering equipment. The negative pole of the supply voltage is connected to the signal return or screen. The precise values of U and R are not critical because current is limited by the characteristics of the field-effect transistor inside the electret microphone element.

NOTE This interface is described in JEITA CP-1203A:2007 with values of $U = 2,5 \text{ V}$ (+0,5 V, -1,0 V) and $R > 1 \text{ k}\Omega$.

Short-circuit current should be limited to 3 A.

The marking “PLUG IN POWER” should be visible adjacent to the powered input on the equipment.

Two-channel microphones using this interface are equipped with a three-conductor 3,5 mm concentric connector 60603-11-IEC-35P3, as shown in Figure 3. Single microphones using this interface are equipped with a two-conductor IEC 60603-11 connector, as shown in Figure 2.

Microphones using the IEC 60603-11 connector should be designed so that they are not damaged by being connected to equipment providing power on a separate conductor, such as that described in 9.3.

Single-channel powered inputs may also be wired as shown in Figure 3, with only one audio output used. This will permit most electret microphones designed to be fed by a separate conductor, as described in 9.3, also to function with such inputs.

9.3 Power supply feed for electret microphones fed by a separate conductor (“soundcard power” or “PC power”)

Power supply voltage $U = 2\text{ V}$ to 5,5 V.

Operating current $I = 0,8\text{ mA}$ maximum

Input impedance = 4 k Ω minimum

This requirement applies when use is made of the 60130-9 IEC 20/21 connector in accordance with IEC 60268-11:1987, Table III, as modified by Amendment 2:1991. The supply voltage is positive with respect to screen and return.

Desk-mounted, hand-held or head-worn electret microphones used in computer systems use 60603-11-IEC-35P3 (see IEC type designation in Clause 3 of IEC 60603-11:1992) 3,5 mm, 3-contact concentric connectors with $U = 5\text{ V}$ and $R = 2,2\text{ k}\Omega$, as shown in Figure 4. Such microphones should be designed so that they are not damaged by being connected with equipment designed for powering over the signal conductor as described in 9.2. $U = 5\text{ V}$ is recommended for new designs, but microphones designed for this interface should function with $U = 2\text{ V}$ to 5 V. Equipment should not be damaged by application of up to 10 V at the input connector.

Single-channel powered inputs may also be wired as shown in Figure 3, with only one audio output used. This will permit most electret microphones designed to be fed over a signal conductor, as described in 9.2, also to function with such inputs.

9.4 Phantom supply system

9.4.1 General

In the phantom supply system, both signal conductors have the same d.c. potential with respect to earth. This allows the use of microphone connections either for microphones which do not need a power supply (for example electrodynamic types), or for microphones having a circuit fed from a separate supply. In either case, it is essential that the amplifier to which the microphone is connected has a balanced floating input.

Equipment providing power to microphones using the phantom supply system may be a power supply, or powering circuitry incorporated in other equipment such as mixers and amplifiers. Typically a mixer or amplifier will include phantom powering on some or all of its inputs, which are referred to as “powered inputs.”

9.4.2 Supply voltage polarity

The positive pole of the supply voltage shall be connected to the electrical centre of the signal conductors, the negative pole to the earth or return conductor, which may be the screen of the cable.

9.4.3 Circuit diagram

A typical circuit diagram for connection and power supply is given in Figure 5. The resistors R_1 and R_2 shall be within 10 % of their rated value, and shall be matched to within no more than 0,4 %. Closer matching may be required to achieve the desired immunity from electromagnetic interference. The microphone should draw current symmetrically from the two conductors of the phantom powering system. The difference between the current in the two conductors should be less than 0,8 %.

Table 6 gives the required values for voltage and current and typical values for R_1 and R_2 . Instead of the resistors and/or transformers shown in the diagrams, other circuit components may be used, provided that the voltage and current requirements given in Table 6 are met, and that the balance of the circuit is not disturbed. A centre-tapped transformer fed via a series resistor may be used.

The use of values different from those of Table 6 may be preferred to fulfil the needs of special applications having wide dynamic range, or for power saving requirements. However, the connection of microphones designed for previously standardized phantom powering values may result in malfunction or even damage. Therefore, powered inputs using different values from those in Table 6 shall be adequately marked, and sufficient information in the specifications and operating manual shall be provided. A description of two alternate powering methods and recommendations for their use is given in Annex B.

9.4.4 Value of the supply voltage

Although 12 V and 24 V systems are still in use, P48 systems should be used for new developments.

9.4.5 Supply current

Microphones using the phantom supply system shall be designated to operate on one or more of the voltages shown in Table 6. When connected, a microphone shall consume no more than the maximum current listed. For best efficiency, microphones should be designed to consume no more than the rated current listed in Table 6, as this value results in the maximum amount of power being delivered to the microphone.

Equipment supplying power to microphones using the phantom supply system shall produce at least the rated current listed in Table 6, for each powered input to which a microphone can be connected. When microphones drawing the rated current are connected to all inputs of a device simultaneously, the voltage at any one input shall remain within the supply voltage limits when a microphone drawing the rated current is connected to or disconnected from any other input. When a microphone is connected or disconnected from a powering device, performance shall not be degraded for signals from other microphones powered by that device.

9.4.6 Marking

The supply voltage shall be marked on microphones and powering equipment using the designations from Table 6.

If a microphone is designed to operate on more than one supply voltage, this should be indicated by suitable marking, for example P48/12.

If a device supplying power using the phantom supply system is not capable of supplying the rated voltage and current to all powered inputs simultaneously, it shall be indicated by a suitable marking, for example "P48 maximum current xx mA."

Devices supplying power using values other than in Table 6 shall be marked with a suitable caution symbol and a designation as described in Annex B.

9.5 A-B supply system

9.5.1 General

In the A-B supply system, the supply current flows through the signal conductors a and b only (see Figure 6). Care should be taken to avoid incorrect operation by switching off the power supply before connecting microphones which do not need a d.c. power supply (for example dynamic types). If not built into the amplifier, suitable series capacitors shall be inserted in order to avoid d.c. magnetization of the input transformer.

9.5.2 Output impedance of the microphone

The output impedance of the microphone shall not exceed 200 Ω within the effective frequency range (40 Hz to 16 kHz).

9.5.3 Circuit diagram

The circuit diagram for connection and power supply is given in Figure 6. The resistors R_1 and R_2 shall be within 10 % of the rated value, but if the power supply is connected to earth (see 9.5.4), they shall be matched to within 1 %.

Table 7 gives the required values for voltage and current and typical values for R_1 and R_2 .

Instead of the resistors shown in the diagrams, other components may be used, provided they have the equivalent d.c. resistance.

9.5.4 Connection of the power supply to earth

The positive pole A or the negative pole B may be connected to earth.

9.5.5 Marking

Microphones for A-B supply shall be marked with the letters AB.

9.6 Polarity of the audio frequency voltage

An inward movement of the microphone diaphragm (a positive instantaneous sound pressure) shall produce a positive instantaneous voltage on pin 2 (with respect to pin 3) of the connector wired according to IEC 60268-12, or on pin 1 (with respect to pin 3) of the connector wired according to IEC 60268-11.

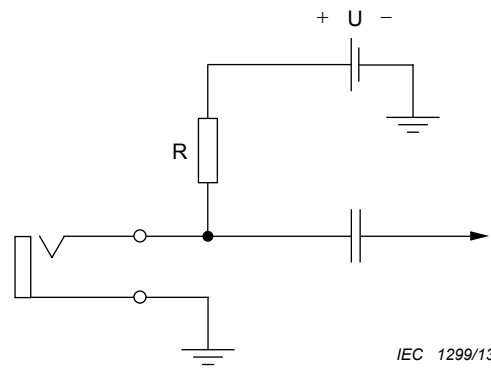


Figure 2 – Example of plug-in power system for a single microphone

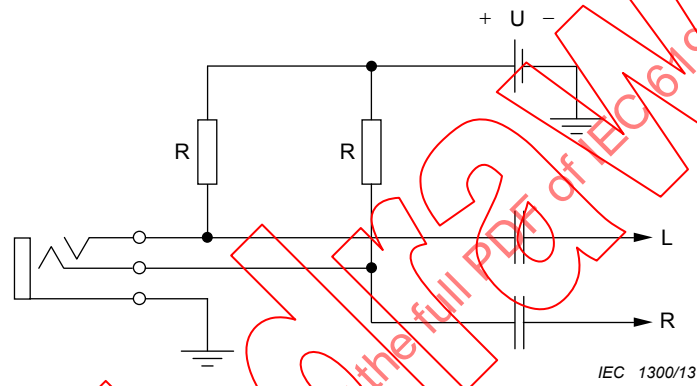


Figure 3 – Example of plug-in power system for a two-channel microphone

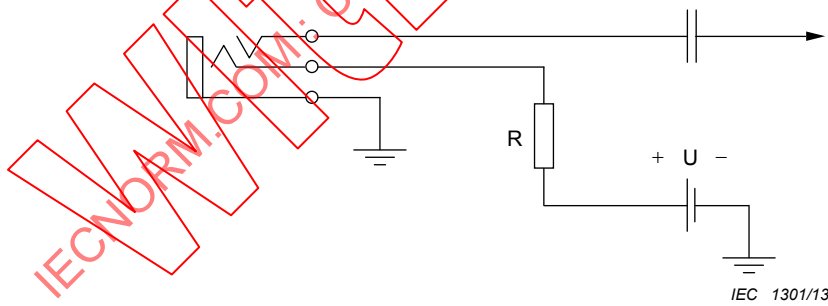
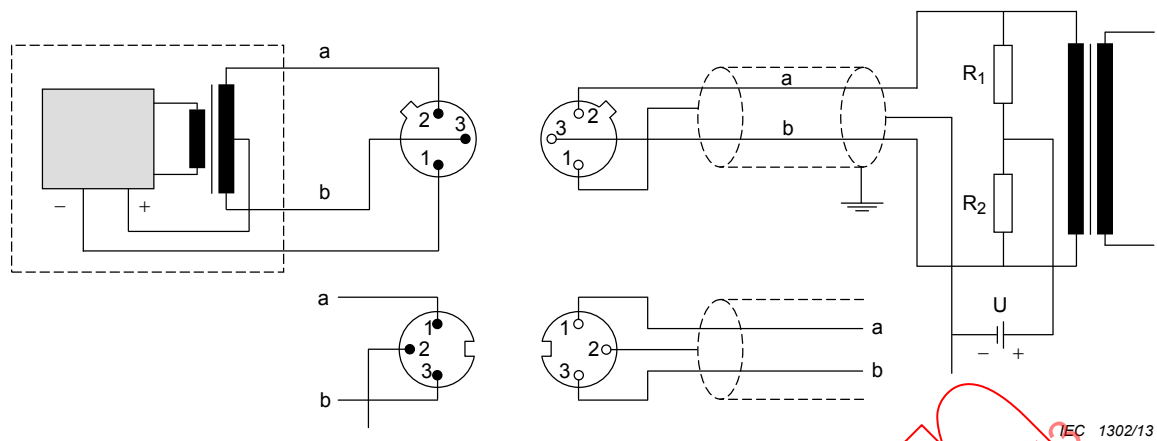
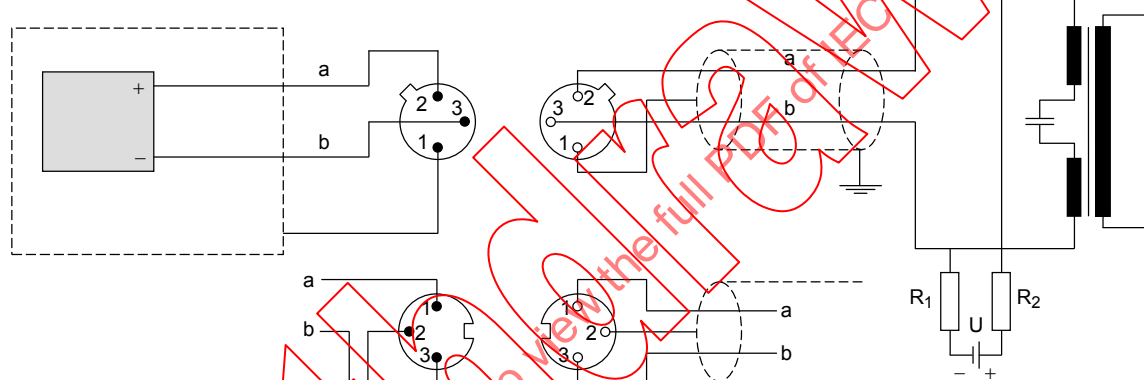


Figure 4 – Example of soundcard power system



IEC 1302/13

Figure 5 – Example of phantom power supply system



IEC 1303/13

Figure 6 – Example of A-B power supply system

Table 6 – Required values for phantom supply systems

Designation	P12	P24	P48
Supply voltage U	12 V \pm 1 V	24 V \pm 4 V	48 V \pm 4 V
Supply current I	Maximum 15 mA	Maximum 10 mA	Maximum 10 mA
Rated supply current	15 mA	10 mA	7 mA
R_1 and R_2 (typical values)	680 Ω	1,2 k Ω ^a	6,8 k Ω

^a Equipment fitted with 1,2 k Ω resistors is not compatible with some types of microphone designed for 12 V operation. These microphones require resistors of at least 2,4 k Ω with a 24 V supply.

Table 7 – Required values for A-B power supply systems

Supply voltage U	12 V \pm 1 V
Supply current I	Maximum 15 mA
R_1 and R_2	180 Ω

10 Interoperability of record-playing units (pick-ups) and amplifiers

Recommended values for analogue record playing units and amplifiers are given in Table 8.

Table 8 – Recommended values for analogue record-playing units and amplifiers

Pick-up			Amplifier		
Output	Recommended values		Input for pick-up	Recommended values	
	Velocity sensitive			Velocity sensitive	
	High	Low		High	Low
Rated impedance	To be stated by the manufacturer		Rated source impedance	Series equivalent resistance: 2,2 kΩ The series equivalent inductance is also important	10 Ω
Rated load impedance	47 kΩ 420 pF ^c	100 Ω	Input impedance	47 kΩ in parallel with 220 pF	100 Ω
Rated output voltage ^a	5 mV	0,3 mV	Rated source e.m.f.	5 mV	0,3 mV
			Minimum source e.m.f. for rated output voltage	2,0 mV	0,12 mV
Maximum output voltage ^b	35 mV	2,8 mV	Overload source e.m.f.	≥35 mV	≥2,8 mV

^a The values are related to a velocity of 7 cm/s and the lower sensitivity limits footnote to table ^d below.

^b The values are related to a velocity of 17,5 cm/s and the upper sensitivity limits given in the remark above. The maximum output voltage values can be expected in the mid-frequency range between about 700 Hz and 3 000 Hz.

^c This value is based on a parallel capacitance of 200 pF for the record-playing unit and its connecting cable, and 220 pF input capacitance of the amplifier.

^d To determine the e.m.f. values given in the table, the following sensitivity ranges for pick-ups have been taken into account:

- high output: 0,7 mV/cm/s to 2 mV/cm/s;
- low output: 0,04 mV/cm/s to 0,16 mV/cm/s.

High output pick-ups are usually of the moving magnet type and low output pick-ups are usually of the moving coil type.

11 Interoperability of loudspeakers and amplifiers

11.1 Single unit loudspeakers

The following values of rated impedance for single unit loudspeakers should be: 4 Ω, 8 Ω and 16 Ω.

11.2 Loudspeaker systems

11.2.1 Loudspeakers with built-in amplifier

A loudspeaker system with a built-in amplifier shall be considered as a power amplifier. The values given in the right-hand part of Table 12 apply.

11.2.2 Impedance-defined loudspeaker systems

Recommended values for impedance defined loudspeaker systems are given in Table 9.

Table 9 – Recommended values for impedance-defined loudspeaker systems

Amplifier	Loudspeaker systems	Recommended values		
Output for loudspeakers	Input			
Output source impedance	–	<1/10 the rated load impedance over the rated frequency range		
Rated load impedance	Rated impedance	4 Ω	8 Ω	16 Ω

For electrostatic and piezoelectric loudspeakers, the rated impedance shall represent the impedance for correct interconnection, taking into consideration the capacitive character of the load presented to the amplifier.

11.2.3 Constant voltage loudspeaker systems

Recommended values for voltage defined loudspeaker systems are given in Table 10.

Table 10 – Recommended values for constant voltage loudspeaker systems

Amplifier	Loudspeaker systems	Recommended values				
Output for loudspeakers	Input					
Rated output voltage	–	25 V	35 V	50 V	70 V	100 V
–	Rated voltage	–	–	50 V	70 V	100 V
Output source impedance	–	<1/2 of the rated impedance over the rated frequency range				

The lower voltages in the table apply for the common practice of using a larger number of these loudspeakers at reduced power, each loudspeaker covering a smaller area.

NOTE The rated load impedance Z is calculated from the rated output power P of the amplifier and the line voltage V as given by $Z = V^2/P$.

The range of voltages may be extended to higher values for amplifiers designed for long distance distribution of power to a network of loudspeakers, for example, for line broadcasting in residential quarters from a central amplifying station.

11.3 Voltage (or power) interoperability of amplifiers and loudspeakers

11.3.1 Overview

In order to achieve optimum interoperability of amplifiers and loudspeakers, with regard to the intended conditions for use, the following characteristics are specified.

- Short-term maximum output voltage and power of an amplifier: see IEC 60268-3.
- Short-term maximum input voltage and power of a loudspeaker: see IEC 60268-5.
- Long-term maximum output voltage and power of an amplifier: see IEC 60268-3.
- Long-term maximum input voltage and power of a loudspeaker: see IEC 60268-5.

11.3.2 Interoperability requirements

The interoperability requirements depend on the condition of operation of the equipment as follows.

In the case of

- a) low probability of incorrect operation leading to clipping of the amplifier (e.g. most hi-fi applications), and where the short-term and the long-term output voltages or powers of the amplifier differ by more than 3 dB:
- the short-term input voltage or power of the loudspeaker shall be greater than or equal to the short-term output voltage or power of the amplifier;
 - the long-term input voltage of the loudspeaker shall be greater than or equal to one-half of the long-term output voltage of the amplifier;

NOTE This implies that the long-term input power of the loudspeaker is greater than one quarter of the long-term output power of the amplifier.

- b) low probability of incorrect operation leading to clipping of the amplifier (e.g. most hi-fi applications), and where the short-term and the long-term output voltages or powers of the amplifier are not substantially different (less than 3 dB):
- the long-term input voltage of the loudspeaker shall be greater than or equal to one-half of the long-term output voltage of the amplifier;

NOTE This implies that the long-term input power of the loudspeaker is greater than one quarter of the long-term output power of the amplifier.

- c) significant probability of clipping in the amplifier, (e.g. sound reinforcement and household use) but acoustic feedback or other types of oscillation are not taken into account:
- the long-term input voltage or power of the loudspeaker shall be greater than or equal to the long-term output voltage or power of the amplifier.

11.4 Polarity of the sound pressure

A positive instantaneous voltage at pin 1 with respect to pin 2 of the connector, according to IEC 60268-11, shall produce an outward movement of the loudspeaker diaphragm (a positive instantaneous sound pressure).

12 Interoperability of headphones and amplifiers

12.1 General

Headphones in stationary applications are mostly used for only a few hours per week, and with program material having a high dynamic range. In outside portable applications, mostly body-worn equipment is used, and it may be operated for several hours every day. The requirements for these two usage conditions differ so much that separate specifications are necessary, both for interoperability and with regard to hearing protection.

12.2 Interoperability of headphones with stationary amplifiers

This output is designed to produce, as far as possible, a constant sound pressure level in the headphones for a given setting of the volume control, irrespective of the impedance of the headphones over the range 8 Ω to 2 000 Ω . The recommended values are given in Table 11.

Electrostatic headphones equipped with matching units should also comply with the requirements of this clause. Other types of electrostatic headphones are not covered by this standard.

Table 11 – Recommended values for headphones and amplifiers in stationary applications

Amplifier		Headphones	
Output for headphones	Recommended values	Input from amplifier	Recommended values
Output source impedance ^a	120 Ω	Rated source impedance ^a	120 Ω
Rated load impedance	8 Ω to 2 000 Ω	Rated impedance	16, 32, 64, 200, 600 Ω
Rated source e.m.f.	5 V maximum ^{b, c}	Rated input voltage (see IEC 60268-7)	5 V

^a For most types of headphones, the source impedance has very little effect on the performance.

^b For equipment having a low supply voltage, it may not be possible to produce 5 V. If the rated output voltage is less than 5 V, the ability to operate with high impedance headphones is restricted.

^c The 5 V (r.m.s.) represents a maximum signal voltage, on peaks of programme level. Signals at this voltage should not be clipped.

^d The interface is also satisfactory for headphones with rated impedance between 8 Ω and 2 000 Ω.

12.3 Interoperability of portable audio headphones/earphones and portable audio equipment

12.3.1 General

This subclause specifies recommended values for portable audio headphones/earphones and portable audio equipment.

12.3.2 Portable audio headphones/earphones

Headphones/earphones which are intended to be used with battery operated audio equipment and to be mainly used for listening to music outdoors. The actual design is mostly of supra-aural type, intra-concha type, supra-concha type or insert type, however, also other solutions are in use. The main feature of all these headphones is their small size. Relevant characteristics of headphones are described in IEC 60268-7.

12.3.3 Portable audio equipment

The following pieces of equipment are included:

- portable, mostly body-worn players that operate with low DC energy sources;
- small audio equipment used with earphones, used mainly for listening to music outdoors; and
- DC operated players with separate AC adapters.

NOTE The call function of mobile-phones with music players is not included, however, the music player function is included.

12.3.4 Recommended values and input/output values for portable audio headphones/earphones and portable audio equipment

Portable audio pieces of equipment have a wide range of impedances. Long operating cycles require that any unnecessary power losses be avoided, e.g. by too high resistive source impedances. Very low source impedances lead to a constant signal voltage, but they also lead to a wider signal power variation than specified for stationary equipment. On the other hand, high resistive source impedances lead to a constant signal power, as specified for stationary equipment, but these source impedances lead to wider signal voltage.

To avoid dangerous sound levels it is important to evaluate the maximum sound pressure level, i.e. LA_{eqmax} , for every combination of portable audio headphones/earphones and portable audio equipment. Furthermore, it is preferable to let headphones be driven with a constant voltage when the maximum sound pressure level is defined in future.

In consideration of the above-mentioned issues, the recommended values are stated in Table 12.

Table 12 – Recommended values for portable audio headphones/earphones and portable audio equipment

Portable audio equipment		Portable audio headphones/earphones	
Output for headphones	Values	Input from amplifier	Values
Output source impedance	$\leq 120 \Omega^a$	Rated source impedance	$\leq 120 \Omega$
Rated load impedance	16 Ω to 64 Ω	Rated impedance	16, 32, 64 Ω^d
Rated source e.m.f.	Under consideration ^{b, c}	Rated input voltage	Under consideration ^e

^a Portable audio equipment has a wide range of impedances. For output source impedances, a value of 2 Ω or less is recommended.

^b The value to define safety limits is discussed in IEC TC 108 for the future edition of IEC 62368.

^c The measurement procedure is given below:
 The measurement signal shall be a simulated programme signal in accordance with IEC 60268-1. This simulated programme signal shall have a crest factor ranging between 1,8 and 2,2. The value shall be defined as unweighted true r.m.s. voltage at the load resistance. As well as this value, the maximum output voltage V_{max} is defined as follows. All volume and tone controls of the players shall be adjusted to the maximum output voltage during tests. Player output shall be loaded with a resistive load of 16 Ω , 32 Ω and 64 Ω .

^d The interface is also satisfactory for headphones with rated impedance between 16 Ω and 64 Ω .

^e The value is same as the rated source e.m.f.
 For reference purposes:
 The maximum sound pressure level LA_{eqmax} can be calculated as follows:

$$LA_{eqmax} = 94 + 20lg(V_{max}/V_{emf})$$
 where
 V_{max} is the maximum output voltage (see footnote to table ^c);
 V_{emf} is the simulated programme signal characteristic voltage corrected by A-weighting characteristics and free-field response compensation (see IEC 60268-7:2010, 8.3.5).

13 Interoperability of amplifiers with other amplifiers

13.1 Pre-amplifiers and power amplifiers for general purpose and sound reinforcement

Recommended values for pre-amplifiers and power amplifiers are given in Table 13.

Table 13 – Recommended values for pre-amplifiers and power amplifiers

Pre-amplifier		Power amplifier ^a	
Output	Recommended values	Input for pre-amplifier	Recommended values
Output source impedance	≤1 kΩ	Rated source impedance	1 kΩ
Rated load impedance	10 kΩ ^b	Input impedance	≥10 kΩ
Rated output voltage _c	1 V	–	–
–	–	Minimum source e.m.f. for rated output voltage	1 V
Rated distortion limited output voltage	≥3 V	–	–

^a For power amplifiers which have no volume controls, the rated source e.m.f. is identical to the minimum source e.m.f. for rated output voltage and the overload source e.m.f. does not apply. Power amplifiers, however, may be provided with a volume control. In this case, the overload source e.m.f. should be ≥8 V.

^b The rated load impedance shall be 1 kΩ for pre-amplifiers for sound reinforcement. This permits up to 10 power amplifiers to be fed in parallel.

^c Applying the relevant minimum source e.m.f. for rated output voltage to the input of the pre-amplifier, with the gain control at maximum.

13.2 Broadcast and similar line amplifiers

Recommended values for broadcast and similar line amplifiers are given in Table 14.

Table 14 – Recommended values for broadcast and similar line amplifiers

Input	Recommended values	Output	Recommended values
Rated source impedance	0 Ω to 300 Ω	Output source impedance	0 Ω to 50 Ω between 10 Hz and 22,4 kHz
Input impedance	≥10 kΩ between 10 Hz and 22,4 kHz	Rated load impedance	600 Ω in parallel with 22 nF
Rated source e.m.f.	1,95 V +8 dB (0,775 V)	Normal working output voltage	1,95 V +8 dB (0,775 V)
Overload source e.m.f.	3,88 V +14 dB (0,775 V)	–	–
Unbalance	≤–50 dB (22,4 Hz to 10 kHz)	–	–

Inputs and outputs should be free of sharp peaks or dips in impedance between 10 Hz and 100 kHz in order to avoid undue sensitivity to electromagnetic interference. Care should be taken that all inputs are protected from radio frequency interference caused by shield-current induced noise, using e.g. the recommendations of AES48.

Annex A (informative)

Pairing and screening of conductors

Interconnections between equipment can create unwanted paths for magnetic and electromagnetic interference to enter conductive equipment enclosures causing degradation of performance, and unwanted paths for coupling of signals from one conductor to another. When it is necessary to reduce such interference, twisted pairs should be used for balanced signals, and for unbalanced signals carrying current of more than about 100 mA, such as loudspeaker wiring. Coaxial cable should be used for other unbalanced signals.

Twisted pairs and coaxial cables reduce the external fields generated by current flowing in the conductors, and by reciprocity reduce the sensitivity of these conductors to pick up such magnetic and electromagnetic fields.

The use of multi-pair cables, incorporating pairs twisted at different rates, is recommended for best immunity to crosstalk and interference.

Screening of paired conductors is of far less importance than twisting. When a paired conductor is provided with a screen, wire braid is preferred over metallic foil for reasons of ruggedness and balance, and to minimize the resistance of the screen.

IECNORM.COM: Click to view the full PDF of IEC 61938:2013

Withhold

Annex B (informative)

Phantom power variants for specialized applications

The requirements for most microphone applications can be met using one of the interface variants described in this standard. However, in some cases the amount of power provided to a microphone may be insufficient to permit the microphone to drive long cables without distortion. In other cases, equipment such as intercoms may be more efficiently made using lower current powered inputs. Standardized phantom power variants are listed in Table 6. Two variants have been defined as options to meet lower and higher requirements.

P12L is the designation for a specialized lower power interface intended for intercoms. Users of this variant should comply with the definitions of P12 and all other applicable parameters of this standard, except that supply current I is 8 mA maximum, rated supply current is 4 mA, and typical values for R_1 and R_2 are 3,3 k Ω . Interfaces using this variant should use a connector having 4 or more contacts to avoid inadvertent connection with incompatible equipment.

SP48 is the designation for a specialized interface intended for microphones that require more power than is provided by the normal P48 interface, to produce extended dynamic range, particularly when driving long cables. Users of this variant should comply with the definitions of P48 and all other applicable parameters of this standard, except that the supply current I and rated current are both 22 mA maximum, and typical values for R_1 and R_2 are 2,2 k Ω . Microphones using this variant should function when connected with P48 powering, but provide improved performance when connected with a powered input providing SP48 power. Technical data should include characteristics for P48 and SP48 operation.

Equipment with powered inputs using SP48 should also be switchable to provide P48 powering for use with microphones not rated for SP48. Most microphones designed for P48 will also function with SP48, but some models may malfunction or even be damaged. Suitable marking should be included near the powered input, such as "Use only with microphones rated for SP48" and the ISO 7000-0434B:2004, "Caution" symbol.



Suitable warnings should also be given in the manual, cautioning users of the equipment against use of SP48 with microphones not designed for the additional current.

Bibliography

IEC 60027 (all parts) *Letter symbols to be used in electrical technology*

IEC 60050-723:1997, *International Electrotechnical Vocabulary – Chapter 723: Broadcasting: Sound, television, data*

IEC 60417, *Graphical symbols for use on equipment*

IEC 60617, *Graphical symbols for diagrams*

IEC 60807-9:1993, *Rectangular connectors for frequencies below 3 MHz – Part 9: Detail specification for a range of peritelevision connectors*

IEC 61293:1994, *Marking of electrical equipment with ratings related to electrical supply – Safety requirements*

IEC 62368-1:2010, *Audio/video, information and communication technology equipment – Part 1: Safety requirements*

ISO/IEC 2382-9:1995, *Information technology – Vocabulary – Part 9: Data communication*

ISO 7000, *Graphical symbols for use on equipment*

AES48-2005:2010, *AES standard on interconnections – Grounding and EMC practices – Shields of connectors in audio equipment containing active circuitry*

JEITA CP-1203A:2007, *Preferred Matching Values of Analogue Signals for AV Equipment and Systems*

EBU1989. *Specification for transmission of two-channel digital sound with terrestrial television with television Systems B, G, and I, SPB424* (third revised version) EBU Technical Centre, Brussels

NICAM 728: *Specification for two additional digital sound channels with system I television*, IBA, BREMA and BBC, London 1988

see also:

A J Bower, 'NICAM 728 - 'Digital two-channel sound for terrestrial television' BBC Research Department Technical Report 1990/6. British Broadcasting Corporation, London, 1990.

Whitlock, Bill, *Balanced lines in audio systems, fact, fiction and transformers*, JAES, 43, 6, 1995-06 Audio Engineering Society, New York, NY USA.

IECNORM.COM: Click to view the full PDF of IEC 61938:2013

Withdrawn

SOMMAIRE

AVANT-PROPOS	39
INTRODUCTION	41
1 Domaine d'application	42
2 Référence normative	45
3 Termes et définitions	46
4 Conditions générales	48
5 Alimentation	49
5.1 Courant alternatif (c.a.) tensions et fréquences d'alimentation	49
5.2 Courant continu (c.c.) tensions d'alimentation	49
5.3 Dispositifs d'alimentation pour microphone	49
6 Interconnexions	49
6.1 Connexions	49
6.1.1 Généralités	49
6.1.2 Caractéristiques des câbles	49
6.2 Connecteurs	51
7 Marquage et symboles de marquage	51
7.1 Marquage	51
7.2 Symboles de marquage	51
8 Valeurs électriques recommandées	51
8.1 Entrées/sorties d'usage général	51
8.2 Entrée/sortie audio d'usage général	52
8.2.1 Interfaces audio uniquement pour les matériels à usage domestique	52
8.2.2 Interfaces pour les matériels à usage professionnel et à usage domestique, lorsque des signaux audio et vidéo sont présents sur le même connecteur ou câble	53
8.3 Entrée/sortie vidéo d'usage général	54
9 Interopérabilité des microphones et des amplificateurs	55
9.1 Microphones (à l'exclusion des types piézoélectriques)	55
9.2 Dispositif d'alimentation pour microphones à électret fournie sur un conducteur de signal («alimentation enfichable»)	56
9.3 Dispositif d'alimentation pour microphones à électret alimentés par un conducteur séparé («alimentation de carte son» ou «alimentation de PC»)	57
9.4 Système d'alimentation fantôme	57
9.4.1 Généralités	57
9.4.2 Polarité de la tension d'alimentation	58
9.4.3 Schéma du circuit	58
9.4.4 Valeur de la tension d'alimentation	58
9.4.5 Courant d'alimentation	58
9.4.6 Marquage	59
9.5 Système d'alimentation A-B	59
9.5.1 Généralités	59
9.5.2 Impédance de sortie du microphone	59
9.5.3 Schéma du circuit	59
9.5.4 Raccordement de l'alimentation à la terre	59
9.5.5 Marquage	59
9.6 Polarité de la tension aux fréquences audio	59

10	Interopérabilité des platines tourne-disques (têtes de lecture) et des amplificateurs	62
11	Interopérabilité des haut-parleurs et des amplificateurs	62
11.1	Haut-parleurs élémentaires	62
11.2	Systèmes de haut-parleurs	63
11.2.1	Haut-parleurs avec amplificateur incorporé	63
11.2.2	Système de haut-parleurs à impédance définie	63
11.2.3	Systèmes de haut-parleurs alimentés à tension constante	63
11.3	Interopérabilité de tension (ou puissance) des amplificateurs et des haut-parleurs	64
11.3.1	Vue s'ensemble	64
11.3.2	Exigences d'interopérabilité	64
11.4	Polarité de la pression acoustique	64
12	Interopérabilité des casques et des amplificateurs	65
12.1	Généralités	65
12.2	Adaptation des casques et des amplificateurs	65
12.3	Interopérabilité des casques/écouteurs audio portables et des matériels audio portables	65
12.3.1	Généralités	65
12.3.2	Casques/écouteurs audio portables	65
12.3.3	Matériels audio portables	66
12.3.4	Valeurs recommandées et valeurs d'entrée/de sortie pour les casques/écouteurs audio portables et les matériels audio portables	66
13	Interopérabilité des amplificateurs avec d'autres amplificateurs	67
13.1	Préamplificateurs et amplificateurs de puissance pour usage général et sonorisation	67
13.2	Amplificateurs de radiodiffusion et de ligne similaires	67
	Annexe A (informative) Adaptation et blindage des conducteurs	69
	Annexe B (informative) Variantes d'alimentation fantôme pour applications spécialisées	70
	Bibliographie	71
	Figure 1 – Sources et destinations audio et vidéo	45
	Figure 2 – Exemple de système d'alimentation enfichable pour un microphone unique	60
	Figure 3 – Exemple de système d'alimentation enfichable pour un microphone à deux voies	60
	Figure 4 – Exemple de système d'alimentation de carte son	60
	Figure 5 – Exemple de système d'alimentation fantôme	61
	Figure 6 – Exemple de système d'alimentation A-B	61
	Tableau 1 – Tensions d'alimentation en courant continu (c.c.) et tolérances	49
	Tableau 2 – Valeurs d'usage général pour des interfaces audio seulement	52
	Tableau 3 – Valeurs d'usage général pour les signaux audio pour les interfaces professionnelles	53
	Tableau 4 – Valeurs recommandées d'usage général pour les signaux vidéo	55
	Tableau 5 – Valeurs recommandées pour les microphones et les amplificateurs	56
	Tableau 6 – Valeurs nécessaires pour les systèmes d'alimentation fantôme	61
	Tableau 7 – Valeurs requises pour les systèmes d'alimentation A-B	61

Tableau 8 – Valeurs recommandées pour les platines tourne-disques analogiques et les amplificateurs.....	62
Tableau 9 – Valeurs recommandées pour les systèmes de haut-parleurs à impédance définie	63
Tableau 10 – Valeurs recommandées pour les systèmes de haut-parleurs alimentés à tension constante.....	63
Tableau 11 – Valeurs recommandées pour les casques et amplificateurs dans des applications fixes	65
Tableau 12 – Valeurs recommandées pour les casques/écouteurs audio portables et matériels audio portables.....	66
Tableau 13 – Valeurs recommandées pour les préamplificateurs et les amplificateurs de puissance	67
Tableau 14 – Valeurs recommandées pour les amplificateurs de radiodiffusion et de ligne similaires.....	68

IECNORM.COM: Click to view the full PDF of IEC 61938:2013

Withdram

COMMISSION ÉLECTROTECHNIQUE INTERNATIONALE

**SYSTÈMES MULTIMÉDIA –
GUIDE DES CARACTÉRISTIQUES RECOMMANDÉES
DES INTERFACES ANALOGIQUES PERMETTANT
D'OBTENIR L'INTEROPÉRABILITÉ**

AVANT-PROPOS

- 1) La Commission Electrotechnique Internationale (CEI) est une organisation mondiale de normalisation composée de l'ensemble des comités électrotechniques nationaux (Comités nationaux de la CEI). La CEI a pour objet de favoriser la coopération internationale pour toutes les questions de normalisation dans les domaines de l'électricité et de l'électronique. A cet effet, la CEI – entre autres activités – publie des Normes internationales, des Spécifications techniques, des Rapports techniques, des Spécifications accessibles au public (PAS) et des Guides (ci-après dénommés "Publication(s) de la CEI"). Leur élaboration est confiée à des comités d'études, aux travaux desquels tout Comité national intéressé par le sujet traité peut participer. Les organisations internationales, gouvernementales et non gouvernementales, en liaison avec la CEI, participent également aux travaux. La CEI collabore étroitement avec l'Organisation Internationale de Normalisation (ISO), selon des conditions fixées par accord entre les deux organisations.
- 2) Les décisions ou accords officiels de la CEI concernant les questions techniques représentent, dans la mesure du possible, un accord international sur les sujets étudiés, étant donné que les Comités nationaux de la CEI intéressés sont représentés dans chaque comité d'études.
- 3) Les Publications de la CEI se présentent sous la forme de recommandations internationales et sont agréées comme telles par les Comités nationaux de la CEI. Tous les efforts raisonnables sont entrepris afin que la CEI s'assure de l'exactitude du contenu technique de ses publications, la CEI ne peut pas être tenue responsable de l'éventuelle mauvaise utilisation ou interprétation qui en est faite par un quelconque utilisateur final.
- 4) Dans le but d'encourager l'uniformité internationale, les Comités nationaux de la CEI s'engagent, dans toute la mesure possible, à appliquer de façon transparente, les Publications de la CEI dans leurs publications nationales et régionales. Toutes divergences entre toutes Publications de la CEI et toutes publications nationales ou régionales correspondantes doivent être indiquées en termes clairs dans ces dernières.
- 5) La CEI elle-même ne fournit aucune attestation de conformité. Des organismes de certification indépendants fournissent des services d'évaluation de conformité et, dans certains secteurs, accèdent aux marques de conformité de la CEI. La CEI n'est responsable d'aucun des services effectués par les organismes de certification indépendants.
- 6) Tous les utilisateurs doivent s'assurer qu'ils sont en possession de la dernière édition de cette publication.
- 7) Aucune responsabilité ne doit être imputée à la CEI, à ses administrateurs, employés, auxiliaires ou mandataires, y compris ses experts particuliers et les membres de ses comités d'études et des Comités nationaux de la CEI, pour tout préjudice causé en cas de dommages corporels et matériels, ou de tout autre dommage de quelque nature que ce soit, directe ou indirecte, ou pour supporter les coûts (y compris les frais de justice) et les dépenses découlant de la publication ou de l'utilisation de cette Publication de la CEI ou de toute autre Publication de la CEI, ou au crédit qui lui est accordé.
- 8) L'attention est attirée sur les références normatives citées dans cette publication. L'utilisation de publications référencées est obligatoire pour une application correcte de la présente publication.
- 9) L'attention est attirée sur le fait que certains des éléments de la présente Publication de la CEI peuvent faire l'objet de droits de brevet. La CEI ne saurait être tenue pour responsable de ne pas avoir identifié de tels droits de brevets et de ne pas avoir signalé leur existence.

La Norme internationale CEI 61938 a été établie par le Comité d'étude 100 de la CEI: Systèmes et appareils audio, vidéo et multimédia.

Cette deuxième édition annule et remplace la première édition parue en 1996 et constitue une révision technique.

Cette édition inclut les modifications techniques majeures suivantes par rapport à l'édition précédente:

- le titre a été remplacé par: Systèmes multimédia – Guide des caractéristiques recommandées des interfaces analogiques permettant d'obtenir l'interopérabilité;
- le domaine d'application a été adapté sur le titre;

- une nouvelle introduction a été ajoutée. La nécessité des révisions ci-dessus est mentionnée dans l'introduction;
- les valeurs de chaque tableau ont été choisies en tenant compte de l'état de l'art représentatif de la meilleure pratique en industrie;
- un système d'alimentation enfichable et un système d'alimentation de carte son ont été ajoutés;
- un nouveau paragraphe 12.3 a été créé: Interopérabilité des casques audio/écouteurs portables et matériels audio portables;
- une nouvelle Annexe A décrivant l'appariement et le blindage des conducteurs a été ajoutée;
- une nouvelle Annexe B décrivant les variantes d'alimentation fantôme pour applications spécialisées a également été ajoutée.

Le texte de cette norme est issu des documents suivants:

FDIS	Rapport de vote
100/2130/FDIS	100/2155/RVD

Le rapport de vote indiqué dans le tableau ci-dessus donne toute information sur le vote ayant abouti à l'approbation de cette norme.

Cette publication a été rédigée selon les Directives (ISO/CEI, Partie 2).

Cette seconde édition annule et remplace la première édition publiée en 1996 et constitue une révision technique. Les modifications significatives sont les suivantes:

Le comité a décidé que le contenu de cette publication ne sera pas modifié avant la date de stabilité indiquée sur le site web de la CEI sous "<http://webstore.iec.ch>" dans les données relatives à la publication recherchée. A cette date, la publication sera

- reconduite,
- supprimée,
- remplacée par une édition révisée, ou
- amendée.

INTRODUCTION

La première édition de la CEI 61938 était issue de la CEI 60268-15, de la CEI 60574-4 et de la CEI 60933-1, ainsi que des propositions correspondantes qui ont été soumises jusqu'au moment de cette révision. La CEI 60268-15 était la première norme traitant de «l'interopérabilité», aptitude de matériels provenant de fabricants différents à être assemblée dans un système avec une totale compatibilité sur toutes les «interfaces». Cependant, le but, la terminologie et les implications de la CEI 61938 sont actuellement largement mal compris car les termes «adaptation» et «préférentiel», utilisés dans la CEI 61938, sont souvent mal interprétés; il en résulte que la CEI 61938 est considérée comme une norme de performance, ce qui n'a jamais été voulu. Le but de cette révision est de rendre facilement compréhensible l'objectif de cette norme en utilisant une terminologie largement utilisée dans le titre et le texte de la norme.

Les caractéristiques de la révision sont les suivantes:

- a) Unification et aménagement des normes actuelles correspondantes y compris les propositions effectives qui ont été faites.
- b) Concept des «entrée/sortie d'usage général».

NOTE Les numéros des normes mentionnées ci-dessus sont des numéros tenant compte des révisions.

IECNORM.COM: Click to view the full PDF of IEC 61938:2013

SYSTÈMES MULTIMÉDIA – GUIDE DES CARACTÉRISTIQUES RECOMMANDÉES DES INTERFACES ANALOGIQUES PERMETTANT D'OBTENIR L'INTEROPÉRABILITÉ

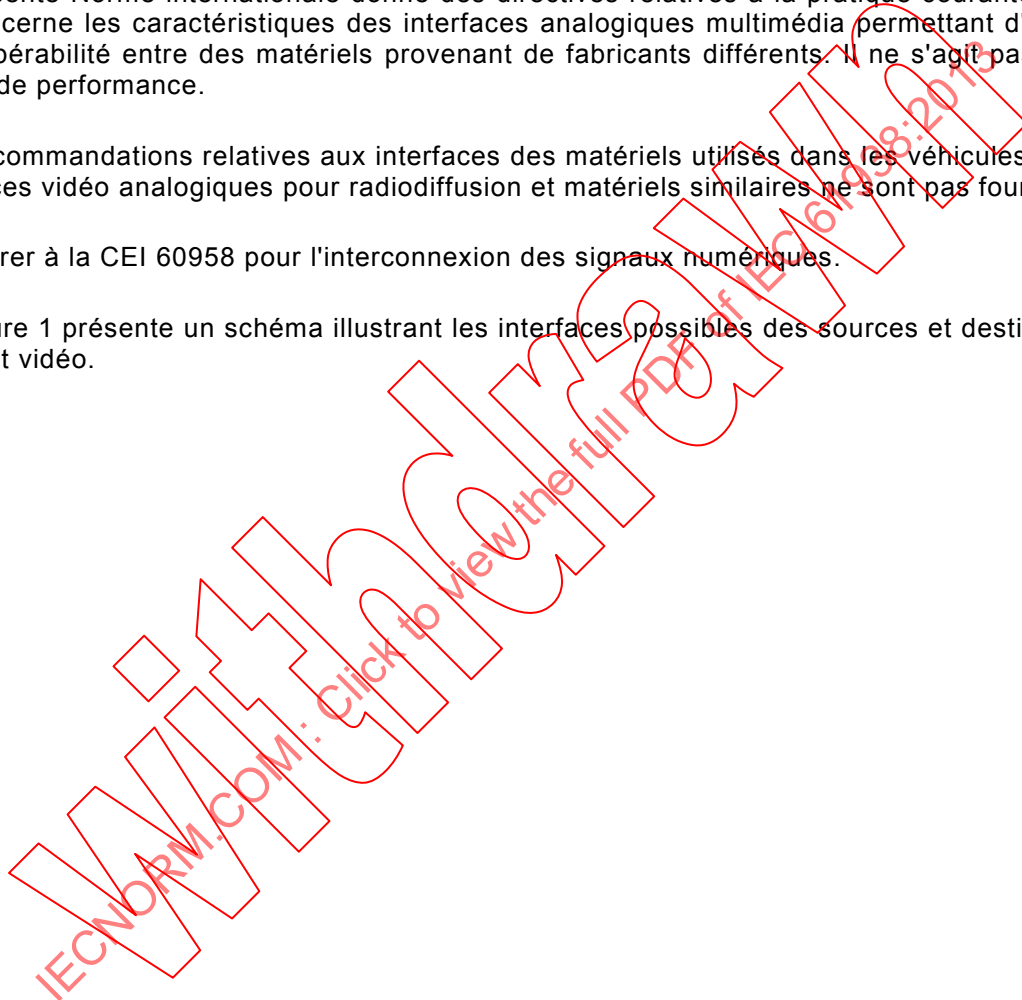
1 Domaine d'application

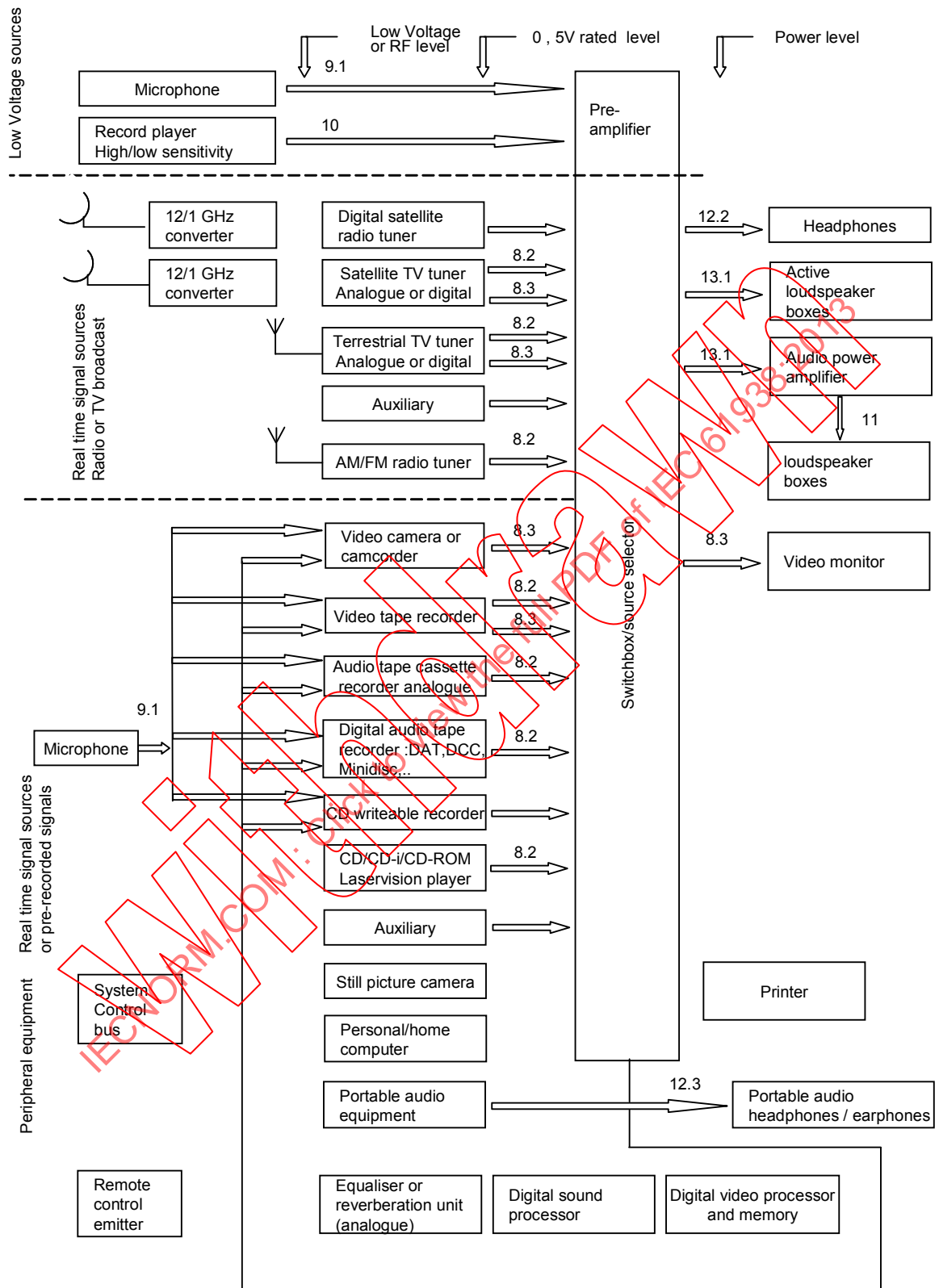
La présente Norme internationale donne des directives relatives à la pratique courante en ce qui concerne les caractéristiques des interfaces analogiques multimédia permettant d'obtenir l'interopérabilité entre des matériels provenant de fabricants différents. Il ne s'agit pas d'une norme de performance.

Des recommandations relatives aux interfaces des matériels utilisés dans les véhicules et aux interfaces vidéo analogiques pour radiodiffusion et matériels similaires ne sont pas fournies.

Se référer à la CEI 60958 pour l'interconnexion des signaux numériques.

La Figure 1 présente un schéma illustrant les interfaces possibles des sources et destinations audio et vidéo.





Légende

Anglais	Français
Low voltage sources	Sources bas niveau
Microphone	Microphone
Record player	Tourne-disques
High/low sensitivity	haute/faible sensibilité
Low voltage or RF level	Bas niveau ou niveau HF
0,5 V rated level	0,5 V niveau assigné
Power level	Niveau de puissance
Preamplifier	Préamplificateur
12/1 GHz converter	Convertisseur 12/1 GHz
12/1 GHz converter	Convertisseur 12/1 GHz
Digital satellite radio tuner	Récepteur radio satellite numérique
Satellite TV tuner Analogue or digital	Récepteur TV satellite analogique ou numérique
Terrestrial TV tuner Analogue or digital	Récepteur TV terrestre analogique ou numérique
Auxiliary	Auxiliaire
AM/FM radio tuner	Radio MA/MF
Real time signal sources Radio/TV broadcast	Sources directes radio ou télédiffusion
Headphones	Casque
Active loudspeaker boxes	Ensemble de haut-parleurs actifs
Audio power amplifier	Amplificateur de puissance audio
Loudspeaker boxes	Haut-parleurs
Video camera or camcorder	Caméra vidéo ou camescope
Video tape recorder	Magnétoscope
Audio tape cassette recorder analogue	Magnétoscope audio analogique
Digital audio tape recorder: DAT, DCC Minidisc...	Magnétoscope audionumérique DAT, DCC, Minidisc...
CD writeable recorder	Enregistreur-lecteur de CD
CD/CD-i/CD-ROM Laservision player	Lecteurs CD/CD-i, CD-ROM, Laservision
Auxiliary	Auxiliaire
Still picture camera	Caméra à image fixe
Personal/home computer	Ordinateur personnel domestique
Portable audio equipment	Appareil audio portable
Switchbox/source selector	Sélecteur source/système de commutation
Video monitor	Moniteur vidéo
Printer	Imprimante
Microphone	Microphone
System control bus	Système de commande par bus
Real time signal sources or pre-recorded signal	Sources directes ou pré-enregistrées
Peripheral equipment	Matériel périphérique
Portable audio headphones/earphones	Casque/écouteurs audio portables

Anglais	Français
Remote control emitter	Boîtier de télécommande
Equaliser or reverberation unit (analogue)	Unité d'égaliseur ou de réverbération (analogique)
Digital sound processor	Processeur audionumérique
Digital video processor and memory	Processeur vidéo numérique et mémoire

Les nombres situés au-dessus des flèches se réfèrent aux articles et paragraphes appropriés de cette norme.

Figure 1 – Sources et destinations audio et vidéo

2 Référence normative

Les documents suivants sont cités en référence de manière normative, en intégralité ou en partie, dans le présent document et sont indispensables pour son application. Pour les références datées, seule l'édition citée s'applique. Pour les références non datées, la dernière édition du document de référence s'applique (y compris les éventuels amendements).

CEI 60038:2009, *Tensions normales de la CEI*

CEI 60094-2:1994, *Systèmes d'enregistrement et de lecture sur bandes magnétiques – Partie 2: Bandes magnétiques étalons*

CEI 60107-6:1989, *Méthodes recommandées pour les mesures sur les récepteurs de télévision – Partie 6: Mesures dans des conditions différentes des normes de signaux pour la radiodiffusion*

CEI 60130-9:2011, *Connecteurs utilisés aux fréquences jusqu'à 3 MHz – Partie 9: Connecteurs circulaires pour appareils de radiodiffusion et équipements électroacoustiques associés*

CEI 60268-1:1985, *Equipements pour systèmes électroacoustiques – Partie 1: Généralités*
Amendement 1:1988
Amendement 2:1988

CEI 60268-3, *Equipements pour systèmes électroacoustiques – Partie 3: Amplificateurs*

CEI 60268-5:2003, *Sound system equipment – Part 5: Loudspeakers* (disponible en anglais seulement)
Amendement 1:2007

CEI 60268-7:2010, *Sound system equipment – Part 7: Headphones and earphones* (disponible en anglais seulement)

CEI 60268-11:1987, *Equipements pour systèmes électroacoustiques – Partie 11: Application des connecteurs pour l'interconnexion des éléments de systèmes électroacoustiques*
Amendement 1:1989
Amendement 2:1991

CEI 60268-12:1987, *Equipements pour systèmes électroacoustiques – Partie 12: Application des connecteurs pour radiodiffusion et usage analogue*
Amendement 1:1991
Amendement 2:1994

CEI 60603-11:1992, *Connecteurs pour fréquences inférieures à 3 MHz pour utilisation avec cartes imprimées – Partie 11: Spécification particulière pour connecteurs concentriques (dimensions pour fiches et embases)*

CEI 60958 (toutes les parties), *Interface audionumérique Digital audio interface* (disponible en anglais seulement)

Recommandation UIT-R BT.1700:2005, *Caractéristiques des signaux vidéo composites pour les systèmes de télévision analogique classiques*

3 Termes et définitions

Pour les besoins du présent document, les termes et définitions suivants s'appliquent.

3.1

signal de luminance

signal électrique représentant la luminance des points d'une image de télévision

[SOURCE: CEI 60050-723:1997, 723-05-56, modifiée, la note a été supprimée]

3.2

signal de chrominance

signal électrique qui, associé au signal de luminance, représente les caractéristiques colorimétriques des points d'une image de télévision; ce signal comprend en fait deux composantes

[SOURCE: CEI 60050-723:1997, 723-05-57]

3.3

signal Y"

signal VBS

signal combiné consistant en

- un signal de luminance;
- des signaux de suppression et de synchronisation

Note 1 à l'article: Le signal Y" est égal au signal vidéo composite (signal CVBS) sans le signal C".

3.4

signal couleur

signal C"

signal de chrominance avec un signal de salve modulé et incorporé dans une sous-porteuse

3.5

signal vidéo composite

CVS signal

signal combiné consistant en

- un signal de luminance;
- un signal couleur

3.6

signal vidéo composite, de suppression et de synchronisation

CVBS signal

signal combiné consistant en

- un signal de luminance;
- un signal couleur;
- des signaux de suppression et de synchronisation

3.7

signal de suppression

signal de base qui commande l'annulation du signal portant les informations d'image pendant certaines parties de la période de balayage, par exemple pendant le retour du spot

[SOURCE: CEI 60050-723:1997, 723-05-37, modifiée, l'exemple a été supprimé]

3.8

signal de synchronisation

signal de base déterminant les instants caractéristiques nécessaires au balayage à l'analyse et à la synthèse d'une image

[SOURCE: CEI 60050-723:1997, 723-05-36]

3.9

interface

frontière partagée entre deux parties d'un matériel, définies par des caractéristiques fonctionnelles, des caractéristiques d'interconnexion physique commune, des signaux caractéristiques et d'autres caractéristiques, selon le cas approprié

[SOURCE: ISO/CEI 2382-9: définition 09.01.06, modifiée, la définition a été adaptée]

3.10

tension de sortie minimale

tension mesurée aux bornes de l'impédance de charge assignée d'une partie d'un matériel, et correspondant à un signal d'entrée minimal limité par le rapport signal sur bruit

3.11

tension de sortie maximale

tension mesurée aux bornes de l'impédance de charge assignée d'une partie d'un matériel, et correspondant à un signal d'entrée maximal limité par la non-linéarité

3.12

impédance de source assignée

impédance interne, indiquée par le fabricant, de la source fournissant le signal à l'appareil

Note 1 à l'article: Sauf spécification contraire, l'impédance de source assignée est supposée être une résistance pure de valeur constante.

Note 2 à l'article: Le fabricant peut également donner la gamme des impédances de source qu'il considère comme acceptables dans la pratique.

Note 3 à l'article: Des valeurs multiples ou des plages de valeurs peuvent être spécifiées, pourvu que les tensions et/ou les puissances de sortie assignées correspondantes (limite de distorsion) soient également indiquées.

3.13

impédance d'entrée

impédance interne, mesurée entre la borne d'entrée et son retour correspondant de la partie de matériel

3.14

f.é.m. assignée de la source

f.é.m. spécifiée par le fabricant qui, lorsqu'elle est appliquée aux bornes d'entrée en série avec l'impédance assignée de la source, donne une tension de sortie assignée en limite de distorsion, dans l'impédance de charge assignée pour un réglage approprié des commandes

3.15

f.é.m minimale de la source pour la tension de sortie assignée

f.é.m qui, lorsqu'elle est appliquée aux bornes d'entrée en série avec l'impédance de source assignée, donne la tension de sortie assignée dans l'impédance de charge assignée avec la ou les commandes de volume, s'il y a lieu, réglées pour un gain maximum et la ou les commandes de tonalité, s'il y a lieu, réglées comme spécifié pour les conditions assignées

3.16

impédance de charge assignée

impédance spécifiée par le fabricant, sur laquelle les bornes de sortie doivent être reliées pour effectuer des mesures

Note 1 à l'article: Sauf spécification contraire du fabricant, on doit supposer que l'impédance de charge assignée est une résistance pure de valeur constante.

Note 2 à l'article: Des valeurs multiples ou une plage de valeurs peuvent être spécifiées, pourvu que les tensions et/ou les puissances de sortie assignées correspondantes (limite de distorsion) soient également indiquées.

3.17

impédance de source de sortie

impédance interne mesurée entre la borne de sortie et le retour correspondant, pour des conditions spécifiées

3.18

tension de sortie assignée

tension spécifiée par le fabricant, mesurée aux bornes de l'impédance de charge assignée d'un appareil

3.19

f.é.m limite de source

f.é.m maximale de la source pour laquelle l'appareil, relié comme pour les conditions assignées et avec un réglage approprié de la commande de volume, peut délivrer une tension de sortie inférieure de 10 dB par rapport à la tension de sortie assignée en limite de distorsion, sans dépasser la distorsion harmonique totale assignée

3.20

microphone alimenté extérieurement

microphone contenant des circuits actifs intérieurs permettant d'obtenir l'alimentation pour fonctionner à partir d'un dispositif extérieur auquel il est raccordé

3.21

entrée alimentée

point sur un dispositif auquel peut être raccordé un microphone alimenté extérieurement

Note 1 à l'article: Il s'agit d'une borne servant d'entrée pour les signaux provenant d'un microphone et aussi de sortie pour l'alimentation du microphone.

4 Conditions générales

Toutes les tensions sont des tensions efficaces, sauf spécification contraire.

Les impédances des circuits audio sont valables dans la bande de fréquences comprise entre 20 Hz et 20 kHz, sauf spécification contraire.

Les tableaux contenant des tolérances indiquent qu'il convient que le matériel fonctionne sur toute la gamme de valeurs possibles, mais il est possible qu'il ne soit pas conforme à toutes ses spécifications aux valeurs limites.

5 Alimentation

5.1 Courant alternatif (c.a.) tensions et fréquences d'alimentation

Pour les tensions et fréquences d'alimentation à courant alternatif, se référer à la CEI 60038.

Pour des applications particulières, par exemple, les bateaux et les avions, d'autres tensions et/ou d'autres fréquences ainsi que d'autres tolérances sont soumises à un accord entre fabricants et utilisateurs.

5.2 Courant continu (c.c.) tensions d'alimentation

Les tensions d'alimentation en courant continu et les tolérances sont données dans le Tableau 1. Il convient que les matériels fonctionnent sur la plage de tensions donnée, mais ils peuvent ne pas satisfaire toutes les spécifications aux limites de ce domaine.

Tableau 1 – Tensions d'alimentation en courant continu (c.c.) et tolérances

Type d'alimentation	Tension assignée/cellule V	Tension de fonctionnement/cellule V		
		Limite inférieure	Tension normale	Limite supérieure
Piles				
– Bioxyde de manganèse, chlorure de zinc	1,5	1,0	1,5	1,65
– Lithium (électrolyte organique)	3,0	2,0	3,0	3,7
Accumulateurs:				
– Au plomb, sauf batteries de véhicule	2,0	1,8	2,0	2,2
– Au plomb, batteries de véhicule	2,0	1,8	2,4	2,6
– Nickel-cadmium	1,2	1,1	1,2	1,4

5.3 Dispositifs d'alimentation pour microphone

Se référer aux 9.3, 9.4 et 9.5.

6 Interconnexions

6.1 Connexions

6.1.1 Généralités

Les câbles transportant le signal doivent avoir les caractéristiques électriques appropriées pour permettre le transfert des signaux entre les parties d'un système sans dégradation inacceptable.

NOTE Le niveau de dégradation qui est inacceptable dépend des spécifications du système et de la nécessité de satisfaire aux autres normes internationales, telles que celles relatives à la compatibilité électromagnétique.

6.1.2 Caractéristiques des câbles

6.1.2.1 Généralité

Il convient de tenir compte des caractéristiques suivantes pour les câbles:

6.1.2.2 Résistance des conducteurs

Une résistance correspondant à moins d'un centième de la valeur de l'impédance de charge est habituellement acceptable pour les connexions aux haut-parleurs. Pour d'autres applications, des valeurs correspondant à un dixième sont acceptables.

NOTE Les câbles de grande longueur peuvent par conséquent nécessiter des conducteurs de section transversale plus importante que les câbles de faible longueur.

6.1.2.3 Résistance d'isolement

Une résistance d'isolement de 50 M Ω est habituellement acceptable.

6.1.2.4 Susceptibilité des interconnexions aux perturbations magnétiques et électromagnétiques

L'utilisation de paires non torsadées ou de conducteurs uniques avec des trajets de retour séparés constitue une source courante de perturbations magnétiques et électromagnétiques à la fois aux fréquences audio et radio, en particulier pour le câblage des haut-parleurs et il convient de l'éviter. Une description des méthodes permettant d'éviter ces perturbations est donnée à l'Annexe A.

6.1.2.5 Réactance des conducteurs

La valeur acceptable varie trop largement pour qu'on puisse donner plus qu'une orientation générale. Il convient que le câble n'affecte pas de façon appréciable le signal transporté. En l'absence d'exigences particulières, il convient que la réactance inductive du câble ne produise pas une variation supérieure à 1 dB de la réponse sur la plage de fréquences d'intérêt. Il convient que la réactance capacitive entre les deux conducteurs d'une paire transportant un signal ou d'un câble coaxial, en parallèle avec l'impédance de charge, soit supérieure à l'impédance de charge assignée à la fréquence d'intérêt la plus élevée.

Bien qu'il ne soit pas recommandé d'utiliser des câbles dans lesquels des conducteurs uniques transportent des signaux audio différents, il convient dans ce cas que la réactance capacitive entre les conducteurs soit supérieure à 1 000 fois l'impédance de charge à la fréquence d'intérêt la plus élevée.

6.1.2.6 Capacité d'un conducteur par rapport au blindage

La valeur acceptable varie trop largement pour qu'on puisse donner plus qu'une orientation générale. En l'absence d'exigences particulières, il convient que la réactance capacitive d'un câble coaxial en parallèle avec l'impédance de charge soit supérieure à l'impédance de charge assignée. Il convient que les capacités entre chaque conducteur d'une paire symétrique et son blindage soient égales à 7,5 % près. Une tolérance plus serrée est souhaitable.

NOTE La tolérance de 7,5 % qui peut être obtenue en utilisant des méthodes normales de fabrication de câble, assure la conservation d'une réjection en mode commun adéquate dans des circuits symétriques (voir JAES, 1995-06). La réjection des perturbations électromagnétiques de ces circuits dépend de l'équilibre des impédances.

6.1.2.7 Impédance caractéristique

Cette caractéristique n'est en général importante que pour des signaux à haute fréquence (tels que les signaux numériques conformes à la CEI 60958).

6.1.2.8 Continuité du blindage

Dans certaines applications, le blindage est relié aux contacts des connecteurs aux deux extrémités du câble. Dans d'autres cas, le blindage est relié à une extrémité du câble seulement. Lorsque le blindage d'un câble symétrique est interrompu, pour empêcher par exemple le passage de courants de circulation, il convient que cette interruption s'effectue à l'extrémité de réception du trajet des signaux. Il convient de ne pas interrompre le blindage

d'un câble coaxial. Il convient que les raccordements entre les matériels soient conformes aux exigences de l'AES48.

Les blindages des câbles de signal et des connecteurs ne doivent pas être utilisés comme moyen de préserver la continuité de terre de sécurité destinée à éviter les risques d'électrocution.

6.1.2.9 Efficacité du blindage

L'utilisation d'un blindage est un moyen pour réduire les effets indésirables des perturbations électromagnétiques tels que:

- a) la réduction de la diaphonie entre conducteurs d'un même câble;
- b) la réduction du rayonnement de signaux non désirés provenant du câble;
- c) le maintien de l'immunité vis-à-vis des signaux externes pénétrant par le câble.

NOTE Ces caractéristiques sont liées mais une bonne performance de l'une ne garantit pas une bonne performance de l'autre.

6.2 Connecteurs

Pour les connecteurs utilisés à l'intérieur du système, se référer aux documents de l'Article 2.

7 Marquage et symboles de marquage

7.1 Marquage

Les bornes et les commandes doivent être marquées de manière adéquate pour donner les informations relatives à leurs fonctions, leurs caractéristiques et leur polarité.

Le marquage doit être tel qu'il soit possible de régler les commandes et d'identifier leur position avec une précision suffisante, en liaison avec les informations données dans le guide d'utilisation.

7.2 Symboles de marquage

Il convient de préférence que le marquage soit composé de lettres, signes, nombres et couleurs, qui sont internationalement compréhensibles. Se référer à la CEI 60027, la CEI 60417, la CEI 60617 et la CEI 61293 pour les symboles de marquage.

Les marquages non contenus dans les normes mentionnées ci-dessus doivent être clairement expliqués dans la notice d'utilisation.

8 Valeurs électriques recommandées

8.1 Entrées/sorties d'usage général

Pour préserver une souplesse maximale d'utilisation et la compatibilité de conception du matériel, toutes les connexions entrantes et toutes les connexions sortantes d'un matériel pour applications générales doivent avoir les mêmes spécifications. Celles-ci sont désignées par le terme «entrée/sortie d'usage général».

Le fabricant peut choisir de désigner certaines de ces entrées/sorties ou toutes pour des utilisations particulières. Par exemple, les entrées/sorties d'usage général destinées au signal audio sont appelées «récepteur de radiodiffusion», «magnétophone», ou «entrée auxiliaire», ceci pour simplifier l'utilisation, mais la spécification de toutes ces entrées/sorties doit néanmoins être identique.

8.2 Entrée/sortie audio d'usage général

8.2.1 Interfaces audio uniquement pour les matériels à usage domestique

Le Tableau 2 présente les valeurs pour les interfaces pour audio uniquement.

Tableau 2 – Valeurs d'usage général pour des interfaces audio seulement

Sortie ^a		Entrée	
	Valeurs recommandées		Valeurs recommandées
Impédance de source de sortie	≤2,2 kΩ	Impédance de source assignée	2,2 kΩ
Impédance de charge assignée	22 kΩ	Impédance d'entrée	≥22 kΩ
Tension de sortie assignée	0,5 V ^b	f.é.m de source assignée	0,5 ^e
Tension de sortie minimale	0,2 V ^c	f.é.m minimale de la source pour la tension de sortie assignée	0,2 V
Tension de sortie maximale	2 V ^d	f.é.m limite de source	≥2,8 V ^f

^a Les tensions de sortie sont mesurées, l'impédance de charge assignée étant branchée.

^b La valeur correspond à:

- a) un niveau d'entrée sur l'antenne de 40 dB (pW) pour un récepteur radio MF (Modulation de fréquence), c'est-à-dire 0,86 mV sur 75 Ω ou 1,73 mV sur 300 Ω. L'indice de modulation est de 54 %;
- une f.é.m. d'entrée sur l'antenne de 1 mV pour un récepteur radio MA (Modulation d'amplitude). Le taux de modulation est de 30 %;
- un niveau d'entrée de porteuse vidéo de 70 dB (μV) pour les récepteurs son de télévision, ayant un rapport porteuse son sur porteuse vidéo du système correspondant de télévision (voir UIT-R BT.1700). Le taux de modulation est de 54 % pour la MA et la MF.

Le taux de modulation des signaux précédents est basé sur le taux moyen de modulation des émissions correspondantes, moyenné au moins sur 15 s;

- b) la sortie en lecture d'une bande étalon conforme à la CEI 60094-2 dans le cas d'un magnétophone ou d'un moniteur;
- c) la sortie d'une source audionumérique (voir la note en bas de tableau ⁹) en lecture d'un signal sinusoïdal enregistré à un niveau inférieur de 12 dB par rapport au signal enregistré à la «pleine échelle» (voir la note en bas de tableau ^d point c);
- d) un niveau de la source égal au niveau moyen du système dans les autres cas.

^c La valeur correspond à:

- a) un niveau inférieur de 8 dB par rapport au niveau d'enregistrement donné dans la voir la note en bas de tableau ^b point b) ci-dessus dans le cas d'un magnétophone ou d'un moniteur;
- b) la f.é.m minimale de la source à l'entrée du système (8 dB en dessous de la f.é.m. assignée) dans les autres cas.

La valeur telle qu'elle est illustrée n'est pas spécifiée pour les récepteurs radio.

Dans le cas d'une source audionumérique (voir la note en bas de tableau ⁹), il n'est pas nécessaire de définir une tension de sortie minimale à partir du moment où elle est directement liée à la tension de sortie assignée.

^d La valeur correspond à

- a) un niveau de signal d'entrée radiofréquence maximum pour la modulation maximale si l'on est dans le cas de récepteurs radio. Dans certains pays, des émissions MF peuvent dépasser la déviation maximale assignée du système, alors que dans d'autres pays cela n'est pas autorisé. Les émissions MA utilisant des techniques de modulation à haute efficacité peuvent produire au récepteur une tension de sortie audio correspondant à une modulation apparente de plus de 100 %, jusqu'à approximativement 150 %;
- b) le niveau d'enregistrement maximum dans le cas d'un magnétophone ou d'un moniteur;
- c) un niveau «pleine échelle» si l'on est dans le cas d'une source audionumérique (voir la note en bas de tableau ⁹), qui est le signal sinusoïdal ayant des valeurs crêtes positive et négative, représentées par les valeurs numériques 7FFFH et 8001H dans un système à 16 bits. Dans la spécification pour les disques compacts, ces valeurs correspondent à une tension de sortie analogique (efficace) maximale de 2 V ± 3 dB;

d)	la f.é.m. limite de la source à l'entrée du système (12 dB au-dessus de la f.é.m. assignée de la source) si l'on est dans les autres cas.
e)	Dans le cas d'un magnétophone, la valeur qui produit la même intensité de champ magnétique que celui d'une bande étalon conforme à la CEI 60094-2.
f)	Pour des entrées conçues uniquement pour connecter des sources analogiques, la valeur est supérieure ou égale à 2,0 V. Pour des entrées conçues pour connecter des sorties analogiques de sources audionumériques (voir la note en bas de tableau ^g), la valeur est supérieure ou égale à 2,8 V.
g)	La source audionumérique peut être un lecteur de disques compacts (CD), un magnétophone audionumérique (DAT/DCC), un récepteur de télévision avec des possibilités de réception numérique du son ou un récepteur d'émission audionumérique (voir la note en bas de tableau ^h).
h)	Pour les récepteurs NICAM, la relation entre les niveaux des fréquences d'alignement transmises par les autorités responsables d'émission et le niveau de codage numérique maximum, et entre les niveaux des fréquences d'alignement, en modes mono et stéréo, peut varier selon les pays. Voir:
a)	UER Tech SPB 424 (3e éd.);
b)	NICAM 728: Spécification pour deux voies audionumériques supplémentaires avec le système de télévision I, IBA, BREMA et BBC, Londres 1988.

8.2.2 Interfaces pour les matériels à usage professionnel et à usage domestique, lorsque des signaux audio et vidéo sont présents sur le même connecteur ou câble

Le Tableau 3 donne les valeurs pour les signaux audio pour les interfaces professionnelles. Ce tableau ne s'applique pas aux interfaces pour les matériels d'émission. Voir Tableau 14.

Tableau 3 – Valeurs d'usage général pour les signaux audio pour les interfaces professionnelles

Sortie ^a		Entrée	
	Valeurs recommandées		Valeurs recommandées
Impédance de source de sortie	≤ 1 kΩ	Impédance de source assignée	1 kΩ
Impédance de charge assignée	10 kΩ ^g	Impédance d'entrée	≥ 10 kΩ
Tension de sortie assignée	0,5 V ^b	f.é.m. de source assignée	0,5 V ^e
Tension de sortie minimale	0,2 V ^c	f.é.m. minimale de la source pour la tension de sortie assignée	0,2 V
Tension de sortie maximale	2 V ^d	f.é.m. limite de source	≥ 2,8 V ^f

^a Les tensions de sortie sont mesurées, l'impédance de charge assignée étant branchée.

^b La valeur correspond à:

- a) un niveau d'entrée sur l'antenne de 40 dB (pW) pour un récepteur radio MF (Modulation de fréquence), c'est-à-dire 0,86 mV sur 75 Ω ou 1,73 mV sur 300 Ω. L'indice de modulation est de 54 %;
- une f.é.m. d'entrée sur l'antenne de 1 mV pour un récepteur radio MA (Modulation d'amplitude). Le taux de modulation est de 30 %;
- un niveau d'entrée de porteuse vidéo de 70 dB (μV) pour les récepteurs son de télévision, ayant un rapport porteuse son sur porteuse vidéo du système correspondant de télévision (voir UIT-R BT.1700). Le taux de modulation est de 54 % pour la MA et la MF.

Le taux de modulation des signaux précédents est basé sur le taux moyen de modulation des émissions correspondantes, moyenné au moins sur 15 s;

- b) la sortie en lecture d'une bande étalon conforme à la CEI 60094-2 dans le cas d'un magnétophone ou d'un moniteur;
- c) la sortie d'une source audionumérique (voir la note en bas de tableau ^h) en lecture d'un signal sinusoïdal enregistré à un niveau inférieur de 12 dB par rapport au signal enregistré à la «pleine échelle» (voir la note en bas de tableau ^d c);
- d) un niveau de la source égal au niveau moyen du système dans les autres cas.

^c La valeur correspond à:

- a) un niveau inférieur de 8 dB par rapport au niveau d'enregistrement donné dans la note en bas de tableau ^b, point b) ci-dessus, dans le cas d'un magnétophone ou d'un moniteur;
- b) la f.é.m minimale de la source à l'entrée du système (8 dB en dessous de la f.é.m. assignée) dans les autres cas.

La valeur telle qu'elle est illustrée n'est pas spécifiée pour les récepteurs radio.

Dans le cas d'une source audionumérique (voir la note en bas de tableau ^h), il n'est pas nécessaire de définir une tension de sortie minimale à partir du moment où elle est directement liée à la tension de sortie assignée.

d La valeur correspond à

- a) un niveau de signal d'entrée radiofréquence maximum pour la modulation maximale si l'on est dans le cas de récepteurs radio. Dans certains pays, des émissions MF peuvent dépasser la déviation maximale assignée du système, alors que dans d'autres pays cela n'est pas autorisé. Les émissions MA utilisant des techniques de modulation à haute efficacité peuvent produire au récepteur une tension de sortie audio correspondant à une modulation apparente de plus de 100 %, jusqu'à approximativement 150 %;
- b) le niveau d'enregistrement maximum dans le cas d'un magnétophone ou d'un moniteur;
- c) un niveau «pleine échelle» si l'on est dans le cas d'une source audionumérique (voir la note en bas de tableau ^h), qui est le signal sinusoïdal ayant des valeurs crêtes positive et négative, représentées par les valeurs numériques 7FFFH et 8001H dans un système à 16 bits. Dans la spécification pour les disques compacts, ces valeurs correspondent à une tension de sortie analogique (efficace) maximale de $2\text{ V} \pm 3\text{ dB}$;
- d) la f.é.m. limite de la source à l'entrée du système (12 dB au-dessus de la f.é.m. assignée de la source) si l'on est dans les autres cas.

e Dans le cas d'un magnétophone, la valeur qui produit la même intensité de champ magnétique que celui d'une bande étalon conforme à la CEI 60094-2.

f Pour des entrées conçues uniquement pour connecter des sources analogiques, la valeur est supérieure ou égale à 2,0 V. Pour des entrées conçues pour connecter des sorties analogiques de sources audionumériques (voir la note en bas de tableau ^h), la valeur est supérieure ou égale à 2,8 V.

g Pour les applications professionnelles, il convient que l'impédance de charge assignée soit égale à 1 k Ω .

h La source audionumérique peut être un lecteur de disques compacts (CD), un magnétophone audionumérique (DAT/DCC), un récepteur de télévision avec des possibilités de réception numérique du son ou un récepteur d'émission audionumérique (voir la note en bas de tableau ^l)).

i Pour les récepteurs NICAM, la relation entre les niveaux des fréquences d'alignement transmises par les autorités responsables d'émission et le niveau de codage numérique maximum, et entre les niveaux des fréquences d'alignement, en modes mono et stéréo, peut varier selon les pays. Voir:

- a) UER Tech SPB 424 (3e éd.);
- b) NICAM 728: Spécification pour deux voies audionumériques supplémentaires avec le système de télévision I, IBA, BREMA et BBC, Londres 1988.

8.3 Entrée/sortie vidéo d'usage général

Les valeurs des entrées/sorties vidéo d'usage général sont données dans le Tableau 4 et dans les notes qui l'accompagnent.

Tableau 4 – Valeurs recommandées d'usage général pour les signaux vidéo

Entrée/sortie	Valeurs recommandées		
	NTSC	PAL	SECAM
Impédance assignée ^a	75 Ω		
Signal vidéo composite ^b	1 V _{c-c} ± 3 dB		
– Signal Y" ^{b, e, f}	1 V _{c-c} ± 3 dB		
– Signal C" ^{c, f}	0,286 V _{c-c} ± 3 dB	0,3 V _{c-c} ± 3 dB	ne s'applique pas
Signal de couleur primaire (RVB) ^d différence entre valeur crête et niveau de suppression	0,7 V ± 0,1 V ^{d, f}		
Composante continue superposée	–	0 V à +2 V	

^a Il convient de mesurer les tensions spécifiées du signal dans les conditions d'adaptation.

^b Différence entre le niveau de blanc crête et le niveau de synchronisation. Il convient que le niveau de synchronisation respecte le BT.1700 de l'UIT-R. Pour les effets éventuels du niveau de synchronisation non standard, voir la CEI 60107-6.

^c Les valeurs données dans le tableau sont des amplitudes crête à crête standard de la salve de couleur de référence (pour les systèmes NTSC et PAL) et de la porteuse de chrominance non modulée dB (pour le SECAM). L'amplitude correspondante pour la barre de couleurs PAL 100/0/100/0 est de 885 mV, et pour la barre de couleurs du NTSC 100/7,5/100/7,5 l'amplitude est de 835 mV.

^d Pour les signaux monochromes analogiques, la différence entre deux quelconques des signaux de couleur primaire et les autres paramètres tels que les signaux Y et de couleur ne doit pas dépasser 0,5 dB. Les valeurs crêtes des signaux de couleur primaire sont celles qui conduisent au signal de luminance de blanc crête.

^e Le signal Y" consiste en un signal composite, selon la recommandation BT.1700 de l'UIT-R sans impulsion et sans signaux de chrominance ou de sous porteuse couleur.

^f Il convient de ne pas appliquer de manière différente les tolérances autorisées sur les niveaux en composantes du signal. Par exemple, une qualité dégradée d'image est vraisemblable si le niveau du signal Y" se situe à la limite minimale de tolérance et si le signal C" se situe à la limite maximale.

9 Interopérabilité des microphones et des amplificateurs

9.1 Microphones (à l'exclusion des types piézoélectriques)

Les valeurs recommandées pour les microphones sont données dans le Tableau 5.

Tableau 5 – Valeurs recommandées pour les microphones et les amplificateurs

Microphone	Amplificateur	Valeurs recommandées		
		Microphones électrodynamiques	Microphones électrostatiques	
Sortie	Entrée pour microphones		Microphones à usages professionnels, à air et à diélectrique électret	Microphones à usage domestique, à électret
Impédance assignée	Impédance de source assignée	200 Ω	200 Ω	1 kΩ
Impédance de charge assignée	–	1 kΩ	1 kΩ	5 kΩ
–	Impédance d'entrée ^a	≥1 kΩ	≥1 kΩ	>5 kΩ
Tension de sortie assignée ^b	f.é.m. de source assignée	0,2 mV	2 mV	2 mV
Tension de sortie maximale ^c	f.é.m limite de la source à usage de radiodiffusion et de sonorisation ^c	0,2 V	5 V	ne s'applique pas
Tension de sortie maximale ^d	f.é.m limite de la source pour utilisation domestique ^d	20 mV	ne s'applique pas	200 mV

^a Les valeurs de l'impédance s'appliquent sur toute la gamme de fréquences comprises entre 40 Hz et 16 kHz. Il convient que les valeurs d'impédance d'entrée soient autant que possible cohérentes avec les performances désirées. Les entrées de plusieurs dispositifs peuvent être raccordées en parallèle lorsqu'un microphone alimente en même temps plusieurs dispositifs, ce qui peut provoquer des performances dégradées du microphone si l'impédance de charge résultante est trop faible.

^b Les valeurs données se réfèrent à une pression acoustique de 0,2 Pa (niveau de pression acoustique de 80 dB (20 μPa)). Dans ce tableau, les valeurs de sensibilité de référence sont de 1 mV/Pa pour les microphones électrodynamiques et 10 mV/Pa pour les microphones électrostatiques. Une utilisation efficace d'un microphone avec un amplificateur dépend du niveau de sortie minimum du microphone qui est au moins supérieur de 5 dB au niveau de bruit intrinsèque de l'amplificateur et du niveau de sortie maximal du microphone qui est inférieur ou égal à la f.é.m limite de la source de l'amplificateur. Pour obtenir la plage dynamique souhaitée, on peut utiliser dans le microphone et l'amplificateur des circuits atténuateurs ou des circuits de commande de gain.

^c Les valeurs indiquées concernent une pression acoustique de 100 Pa (niveau de pression acoustique de 134 dB (20 μPa)) compte tenu d'une sensibilité possible du microphone de 50 mV/Pa pour les microphones diélectriques à air et à électret et jusqu'à 2 mV/Pa pour les microphones dynamiques. Pour la f.é.m. limite de source, l'exigence peut être satisfaite au moyen d'un atténuateur réglable, inclus dans l'amplificateur.

^d Les valeurs indiquées concernent une pression acoustique de 10 Pa (niveau de pression acoustique de 114 dB (20 μPa)) compte tenu d'une sensibilité possible du microphone supérieure de 6 dB. Afin d'éviter une surcharge dans les conditions extrêmes, on peut exiger les valeurs données à usage de la radiodiffusion ou de sonorisation pour les équipements domestiques reliés au réseau électrique.

9.2 Dispositif d'alimentation pour microphones à électret fournie sur un conducteur de signal («alimentation enfichable»)

Tension d'alimentation $U = 1,5 \text{ V à } 5 \text{ V}$.

Résistance d'alimentation $R = 1 \text{ à } 10 \text{ k}\Omega$.

La polarisation de fonctionnement pour les microphones asymétriques à électret est une tension continue positive U fournie à travers une résistance R au conducteur de signal du câble conduisant au microphone. Le signal est découplé de l'alimentation en utilisant un condensateur en série ou d'autres circuits dans le matériel d'alimentation. Le pôle négatif de l'alimentation est raccordé au retour de signal ou au blindage. Les valeurs précises de U et R ne sont pas critiques, car le courant est limité par les caractéristiques du transistor à effet de champ situé à l'intérieur de l'élément microphone à électret.

NOTE Cette interface est décrite dans JEITA CP-1203A:2007 avec des valeurs de $U = 2,5 \text{ V (+0,5 V, -1,0 V)}$ et $R > 1 \text{ k}\Omega$.

Il convient de limiter le courant de court-circuit à 3 mA.

Il convient que le marquage «ALIMENTATION ENFICHABLE» soit visible à côté de l'entrée alimentée sur le matériel.

Les microphones à deux canaux utilisant cette interface sont équipés d'un connecteur coaxial de 3,5 mm à trois conducteurs, 60603-11-CEI-35P3, comme représenté à la Figure 3. Les microphones simples utilisant cette interface sont équipés d'un connecteur à deux conducteurs CEI 60603-11, comme représenté à la Figure 2.

Il convient que les microphones utilisant le connecteur CEI 60603-11 soient conçus de telle sorte que leur branchement à un matériel fournissant l'alimentation sur un conducteur séparé, comme décrit en 9.3 ne les endommage pas.

Les entrées monocanal alimentées peuvent également être câblées comme représenté à la Figure 3, une seule sortie audio étant utilisée. Ceci permet également à la plupart des microphones à électret conçus pour être alimentés par un conducteur séparé, comme décrit en 9.3, de fonctionner également avec ces entrées.

9.3 Dispositif d'alimentation pour microphones à électret alimentés par un conducteur séparé («alimentation de carte son» ou «alimentation de PC»)

Tension d'alimentation $U = 2 \text{ V}$ à $5,5 \text{ V}$.

Courant de fonctionnement $I = 0,8 \text{ mA}$ maximal

Impédance d'entrée = $4 \text{ k}\Omega$ minimal

Cette exigence s'applique si on utilise un connecteur de type 60130-9 CEI 20/21, conforme au Tableau III de la 60268-11:1987, comme modifié selon l'Amendement 2:1991. La tension d'alimentation est positive par rapport au blindage et au retour.

Les microphones de table, portables ou de casque utilisés dans les systèmes informatiques utilisent des connecteurs concentriques à 3 contacts de 3,5 mm 60603-11-CEI-35P3 (voir désignation de type CEI, l' Article 3 de la CEI 60603-11:1992) avec $U = 5 \text{ V}$ et $R = 2,2 \text{ k}\Omega$ comme représenté à la Figure 4. Il convient que ces microphones soient conçus de telle sorte que leur branchement à un matériel conçu pour fournir l'alimentation sur le conducteur de signal, comme décrit en 9.2 ne les endommage pas. $U = 5 \text{ V}$ est recommandé pour les nouvelles conceptions, mais il convient que les microphones conçus pour cette interface fonctionnent avec $U = 2 \text{ V}$ à 5 V . Il convient que les matériels ne soient pas endommagés lorsqu'on applique jusqu'à 10 V sur le connecteur d'entrée.

Les entrées monocanal alimentées peuvent également être câblées comme représenté à la Figure 3, une seule sortie audio étant utilisée. Ceci permet également à la plupart des microphones à électret conçus pour être alimentés par un conducteur de signal, comme décrit en 9.2, de fonctionner également avec ces entrées.

9.4 Système d'alimentation fantôme

9.4.1 Généralités

Dans le système d'alimentation fantôme, les deux conducteurs relatifs au signal sont au même potentiel continu par rapport à la masse. Ceci permet l'utilisation des connexions du microphone, soit pour des microphones qui ne nécessitent pas d'alimentation (par exemple de type électrodynamique), soit pour des microphones ayant un circuit séparé d'alimentation. Dans les deux cas, il est essentiel que l'amplificateur auquel est connecté le microphone dispose d'une entrée symétrique flottante.

Les matériels fournissant l'alimentation aux microphones en utilisant le système d'alimentation fantôme peuvent être une alimentation ou des circuits d'alimentation incorporés dans d'autres matériels tels que le mélangeur et des amplificateurs. Un mélangeur ou un

amplificateur contient généralement une alimentation fantôme sur certaines ou sur la totalité de ces entrées, qui sont appelées «entrées alimentées».

9.4.2 Polarité de la tension d'alimentation

Le pôle positif de la tension d'alimentation doit être connecté au point milieu électrique des conducteurs du signal, le pôle négatif à la masse ou au conducteur de retour, qui peut être le blindage du câble.

9.4.3 Schéma du circuit

Un schéma type de circuit relatif aux connexions et à l'alimentation est donné à la Figure 5. Les résistances R_1 et R_2 ne doivent pas varier de plus de 10 % de leur valeur assignée et doivent être adaptées à 0,4 % près. Une adaptation plus précise peut être exigée pour obtenir l'immunité désirée aux perturbations électromagnétiques. Il convient que le microphone extrait le courant symétriquement des deux conducteurs du système d'alimentation fantôme. Il convient que la différence de courant dans les deux conducteurs soit inférieure à 0,8 %.

Le Tableau 6 donne les valeurs requises de la tension et du courant ainsi que les valeurs types de R_1 et R_2 . A la place des résistances et/ou des transformateurs indiqués sur les schémas, on peut utiliser d'autres circuits, pourvu que les exigences relatives à la tension et au courant données dans le Tableau 6 soient satisfaites et que la symétrie du circuit ne soit pas perturbée. On peut utiliser un transformateur à point milieu alimenté à travers une résistance série.

L'utilisation de valeur différente de celles du Tableau 6 peut être préférée pour satisfaire aux besoins d'applications particulières ayant une grande plage dynamique ou pour des exigences d'économie d'énergie. Toutefois, le raccordement de microphones conçus pour des valeurs d'alimentation fantôme précédemment normalisées peut produire un dysfonctionnement ou même des dommages. Des entrées alimentées utilisant des valeurs différentes de celle du Tableau 6 doivent donc être marquées de façon adéquate et des informations suffisantes doivent être fournies dans les spécifications et le manuel d'utilisation. Une description de deux autres méthodes d'alimentation et des recommandations concernant leur utilisation sont données à l'Annexe B.

9.4.4 Valeur de la tension d'alimentation

Bien que les systèmes 12 V et 24 V soient encore utilisés, il convient d'utiliser les systèmes P48 pour les nouveaux développements.

9.4.5 Courant d'alimentation

Les microphones utilisant le système d'alimentation fantôme doivent être conçus pour fonctionner avec une ou plusieurs des tensions indiquées dans le Tableau 5. Lorsqu'il est raccordé, un microphone ne doit pas consommer davantage que le courant maximal indiqué. Pour obtenir le meilleur rendement possible, il convient que les microphones soient conçus de façon à consommer au maximum le courant assigné indiqué dans le Tableau 6, car cette valeur produit la quantité maximale de puissance délivrée au microphone.

Les matériels fournissant l'alimentation des microphones utilisant le système d'alimentation fantôme doivent produire au moins le courant assigné indiqué dans le Tableau 6 pour chaque entrée alimentée à laquelle le microphone peut être raccordé. Lorsque des microphones consommant le courant assigné sont raccordés simultanément à toutes les entrées d'un dispositif, la tension sur n'importe quelle entrée doit rester dans les limites de la tension d'alimentation lorsqu'un microphone consommant le courant assigné est raccordé à toute autre entrée où en est déconnecté. Lorsqu'un microphone est raccordé à un dispositif d'alimentation ou en est déconnecté, les performances ne doivent pas être dégradées pour des signaux provenant d'autres microphones alimentés par ce dispositif.